

OMNIROW LEVEL III SYSTEM

JD OMNIROW LEVEL III SYSTEM, 4 MOTOR KIT 20"-40" SPACING, MULTIROW CONTROL KIT P/N 117-3001-052

HYDRAULIC COMPONENTS:

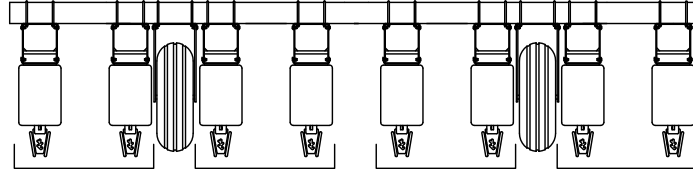
HYDRAULIC MOTOR	416-8000-001	X4
HYDRAULIC VALVE, PWM	063-0131-140	X4
HYD. MOTOR HARDWARE KIT, JD	117-3001-013	X4
HYD. MOTOR MOUNTING BRACKET LH	107-0172-050	X4
HYD. MOTOR MOUNTING BRACKET RH	107-0172-058	X4
HYD. PRESSURE REDUCING VALVE	063-0131-141	
PRR VALVE MOUNTING BRACKET	107-0171-956	
PRR HARDWARE KIT	117-3001-015	
HYDRAULIC KIT, 4 MOTOR	117-3002-085	
HYDRAULIC PRESSURE TEST KIT	117-3001-018	
ASSORTED HARDWARE		

ALSO INCLUDED IN KIT:

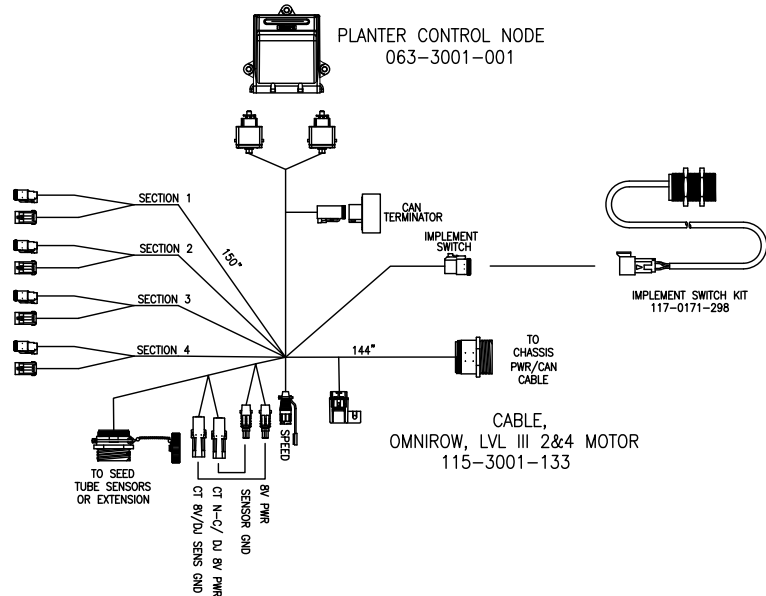
E-PRO PLANTER CONTROLS MANUAL	016-0171-405
E-PRO PLANTER CONTROLS QRG	016-0171-406
INSTALLATION MANUAL	016-3001-005
NODE MOUNTING KIT	117-0171-299
CAN TERMINATOR (USE IN CAB)	063-0172-369
E-PRO PLANTER POPULATION	
CONTROL AUTH. CODE	077-0180-058

OPTIONAL:

EPRO SINGLE PROD. VRA AUTH. CODE: 077-0180-031



ELECTRICAL COMPONENTS



NOTES:

SEED SENSE

- USES EXISTING 37 PIN SEED SENSOR CABLE. CONTACT DEALER FOR CABLE OPTIONS.
- KINZE AND CASE REQUIRE REPLACEMENT HIGH RATE DICKEY JOHN SENSORS IF NOT PRESENT. CONTACT DEALER FOR REPLACEMENT SENSORS.
- MONITORING FOR UP TO 12 ROWS.

HYDRAULICS

- 4 ROWS PER MOTOR MAX.
- INCLUDED QTY 3: -8 x 72" PRESSURE, TANK, EXCESS FLOW AND QTY 2: -8 x 48" PRESSURE AND TANK HOSES INTENDED FOR MOUNTED PLANTERS. DRAWN PLANTERS WILL REQUIRE EXTENSIONS.
- ADDITIONAL HOSES WILL BE REQUIRED TO FINISH INSTALLATION. ESTIMATE 2X DRAWBAR WIDTH OF -8 HOSE TO CONNECT MOTORS TO SUPPLIED HOSES.
- HOSES TO MEET SAE J517/100R17 SPECIFICATIONS 3000 PSI (207 BAR) MINIMUM WORKING PRESSURE.

CABLING

- MOTOR SECTION BREAKOUTS 150" EACH. CONTACT DEALER FOR EXTENSION CABLE OPTIONS.
- CAN/POWER BREAKOUT 144". CAN/POWER/SPEED EXTENSION CABLES MAY BE REQUIRED FOR DRAWN PLANTERS.
- CABLING DOES NOT SUPPORT CLUTCHES.
- SPEED EXTENSION CABLE REQUIRED IF EXTERNAL SPEED SOURCE IS USED.

PLANTER FRAME

- 12 ROW MAX.
- EXISTING SHAFTS WILL NEED TO BE MODIFIED TO DIVIDE PLANTER INTO SECTIONS.

NOTE:

REFER TO DWG. 054-5000-001 FOR OTHER SYSTEM COMPONENTS.

RELEASED DATE	ECO NO.	PROD. MGR.	SERV. MGR.	PROD. CHAMP.	ENG.	DRAFT.	REV.	DRAWING NO.
8/22/12	E19797	DSP	AT	GLE	RKM	JJP	A	054-3001-006