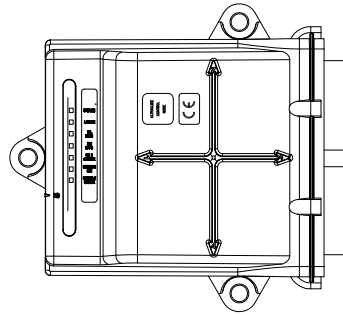


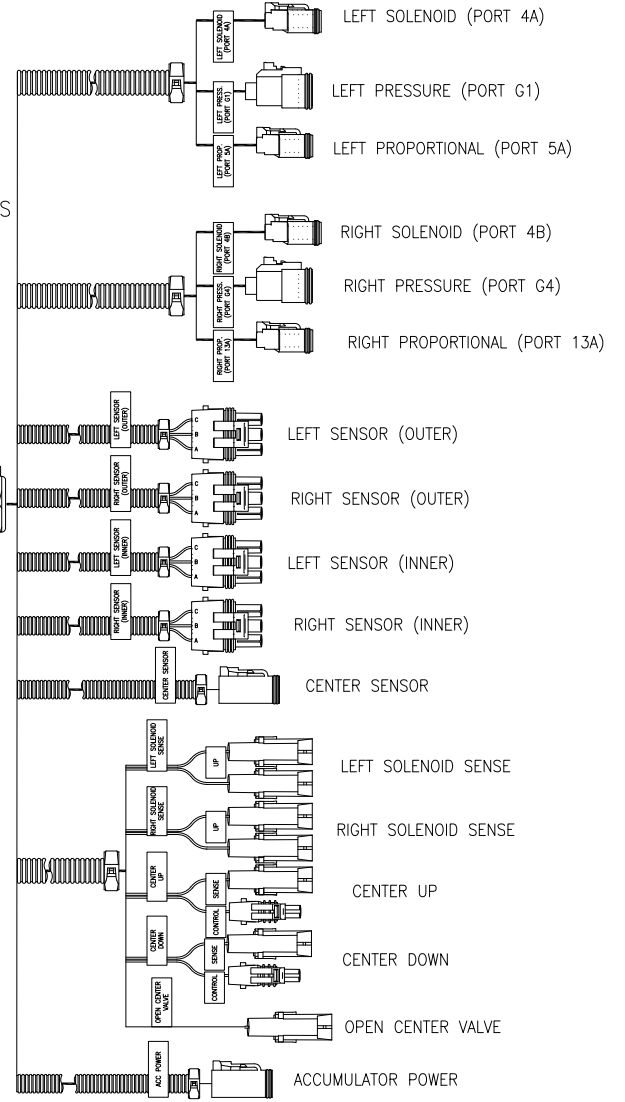
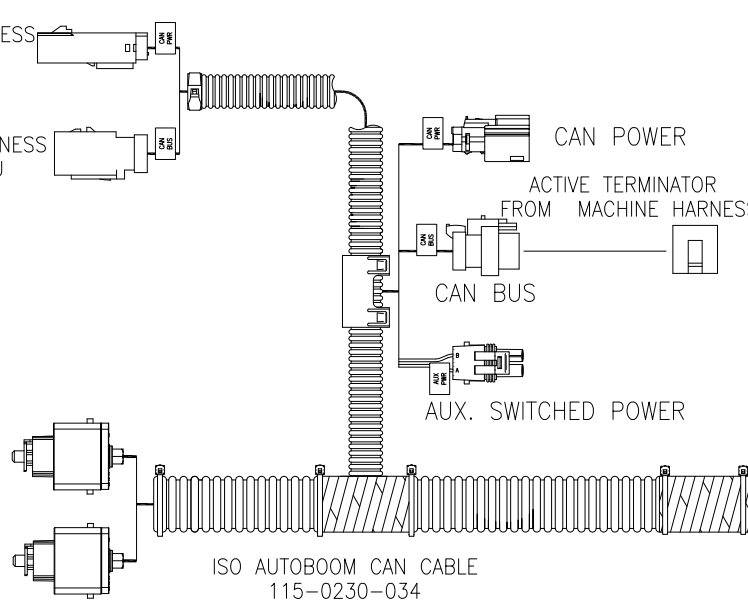
ISO AUTOBOOM WITH JOHN DEERE RATE CONTROL

TO CAN POWER CONNECTOR ON MACHINE HARNESS
NEAR JOHN DEERE RATE CONTROL ECU

TO CAN BUS CONNECTOR ON MACHINE HARNESS
NEAR JOHN DEERE RATE CONTROL ECU



ISO AUTOBOOM NODE
063-0130-016



ISO AUTOBOOM KIT
117-0137-054 OR
117-0137-055

| RELEASED DATE | ECO NO. | PROD. MGR. | SERV. MGR. | PROD. CHAMP. | ENG. | DRAFT. | REV. | DRAWING NO. |
|---------------|---------|------------|------------|--------------|------|--------|------|--------------|
| 9/8/09 | E14555 | BDB | TAC | ADA | BDB | MAP | A | 054-2430-005 |
| 3/31/11 | E17401 | BDB | TAC | ADA | NOM | MAP | B | - |