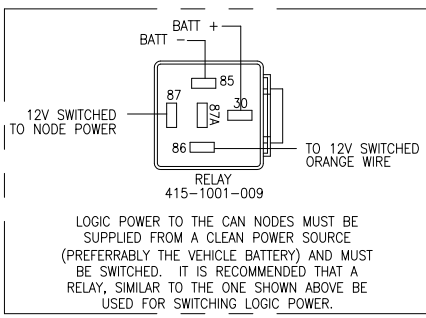
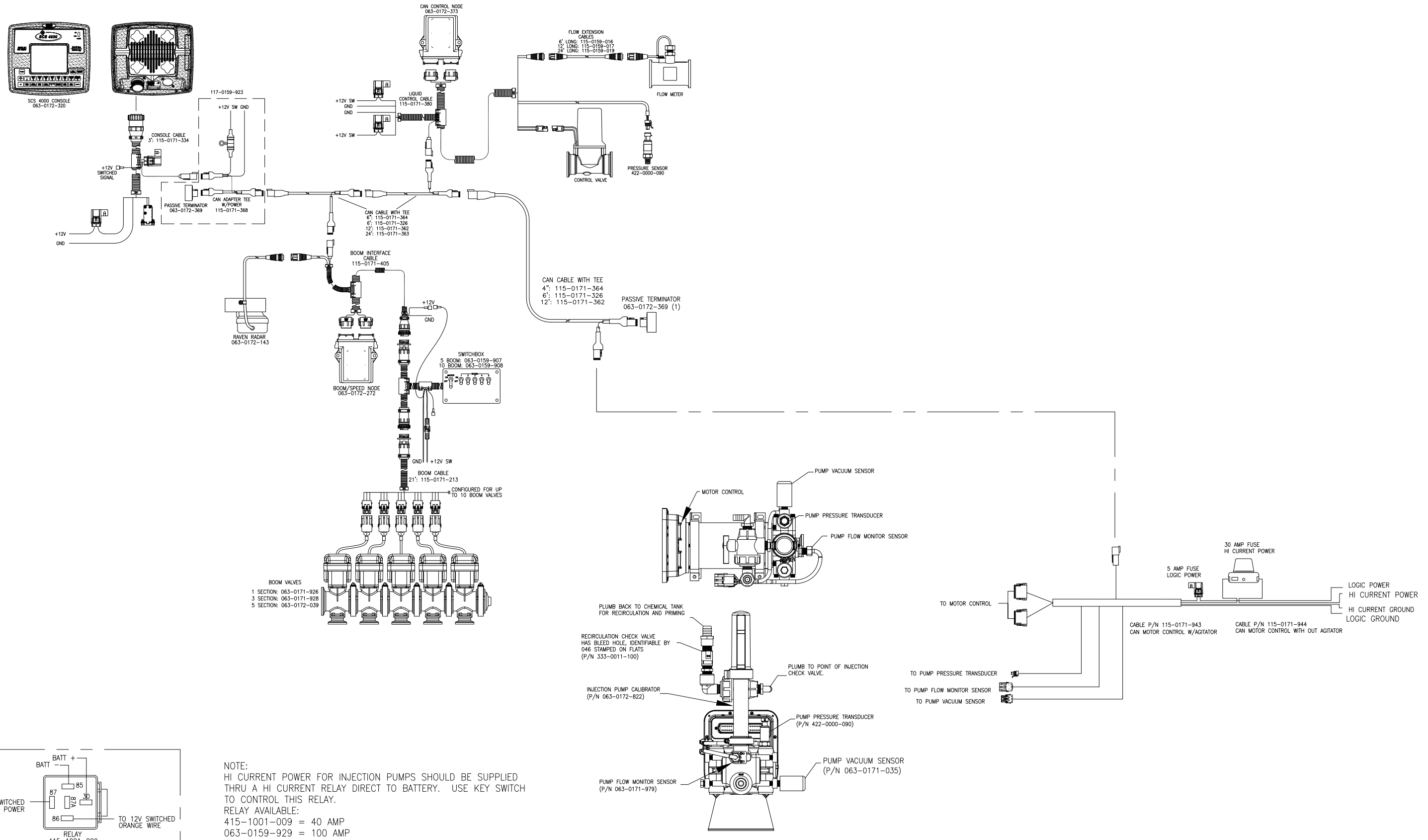


SCS MULTI-PRODUCT (LIQUID/CHEMICAL) CONTROL AND CAN INJECTION



NOTE:
 HI CURRENT POWER FOR INJECTION PUMPS SHOULD BE SUPPLIED THRU A HI CURRENT RELAY DIRECT TO BATTERY. USE KEY SWITCH TO CONTROL THIS RELAY.
 RELAY AVAILABLE:
 415-1001-009 = 40 AMP
 063-0159-929 = 100 AMP

NOTE:
 HI VOLUME PUMP = 30 AMP MAX
 LOW VOLUME PUMP = 10 AMP MAX

RELEASED DATE	ECO NO.	PROD. MGR.	SERV. MGR.	PROD. CHAMP.	ENG.	DRAFT.	REV.	DRAWING NO.
7/23/10	E16417	JB	TAC	GLE	NAP	MAP	A	054-2840-009
8/10/12	E20017	JAB	AT	GLE	NAP	JJP	B	054-2840-009