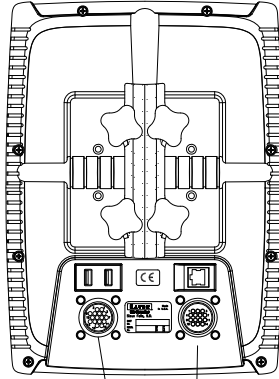
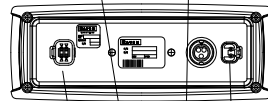


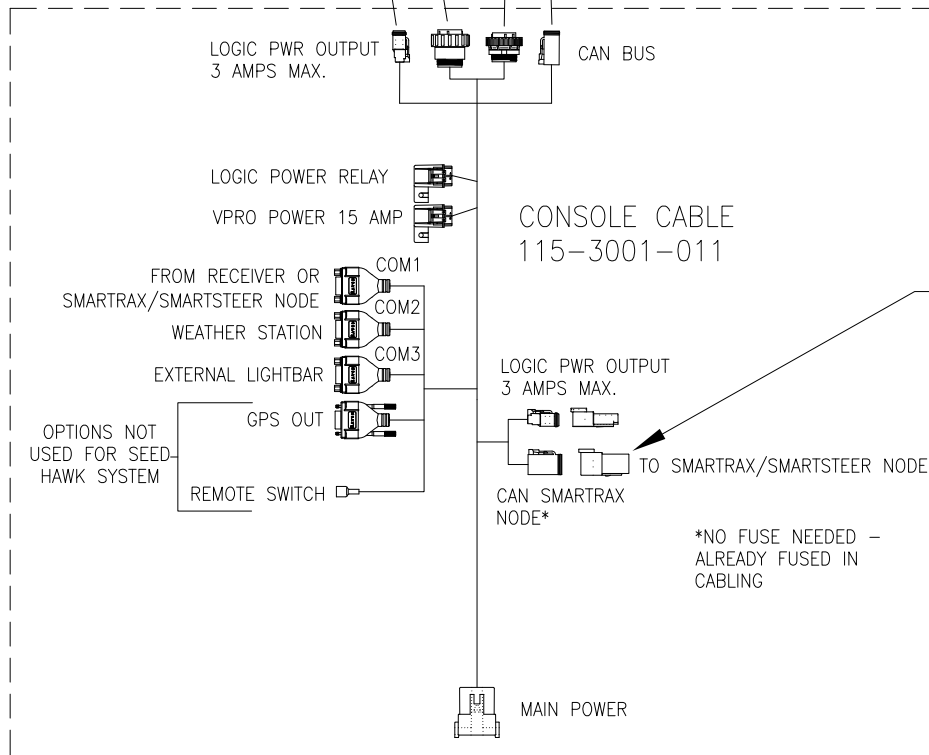
SEED HAWK VIPER PRO



SEED HAWK VIPER PRO
063-0173-053

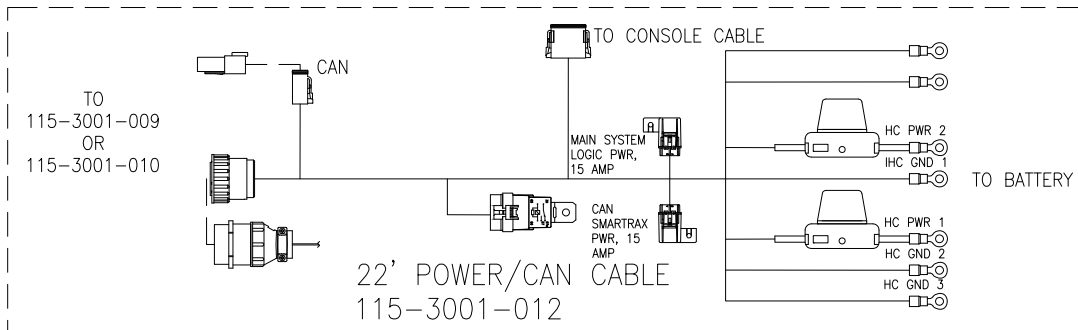


SEED HAWK SWITCHBOX
063-0173-036



CAN SMARTRAX OPTION PINOUT:		
PIN		
1	WHITE	LOGIC GND
2	RED	LOGIC PWR
3	YELLOW	CAN HI
4	GREEN	CAN LOW
5	WHITE	HC GND
6	RED	HC PWR

*NO FUSE NEEDED -
ALREADY FUSED IN
CABLING



ECO NO.	PROD. MGR.	SERV. MGR.	PROD. CHAMP.	ENG.	DRAFT.	REV.	DRAWING NO.
E15352	SSS	AT	RJB	JCP	MAP	A	054-2100-004