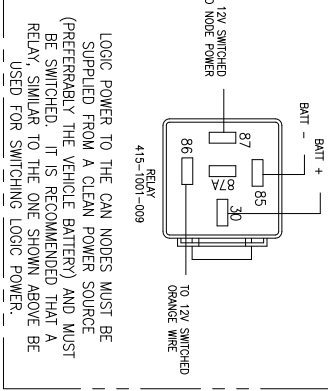
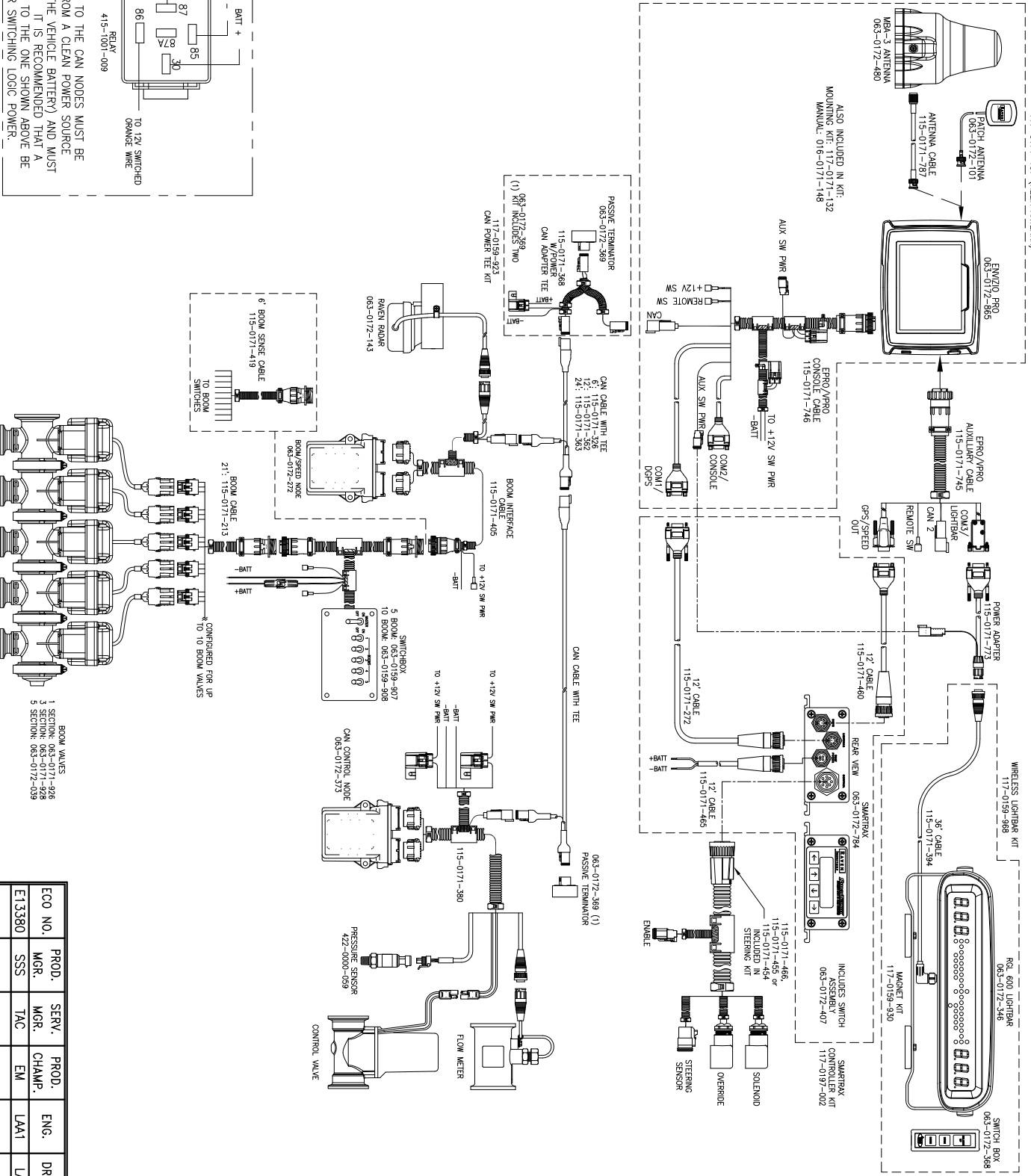


ENVIZIO PRO WITH GPS, LIQUID CONTROL AND EXTERNAL LIGHTBAR

ENVIZIO PRO WITH GPS KITS
 117-0171-126 (PATCH ANTENNA)
 117-0171-137 (HELIX ANTENNA)



BOOM VALVES
 1 SECTION: 063-0171-926
 3 SECTION: 063-0171-928
 3 SECTION: 063-0172-039

PROJ. NO.	PROJ. MGR.	SERV. MGR.	PROJ. CHAMP.	ENG.	DRAFT.	REV.	DRAWING NO.
E13380	SSS	TAC	EM	LAAT	LAAT	A	054-2010-004