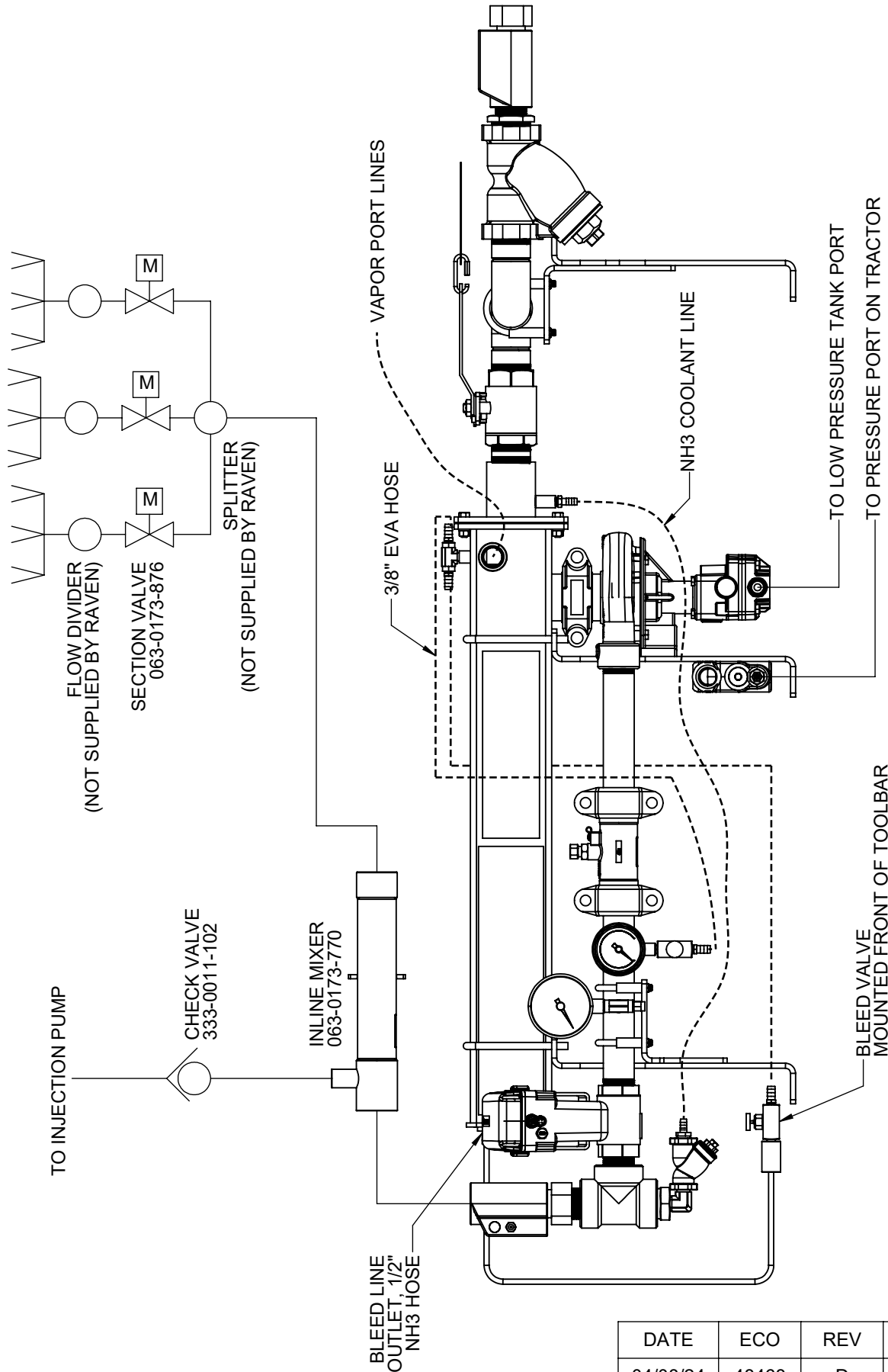


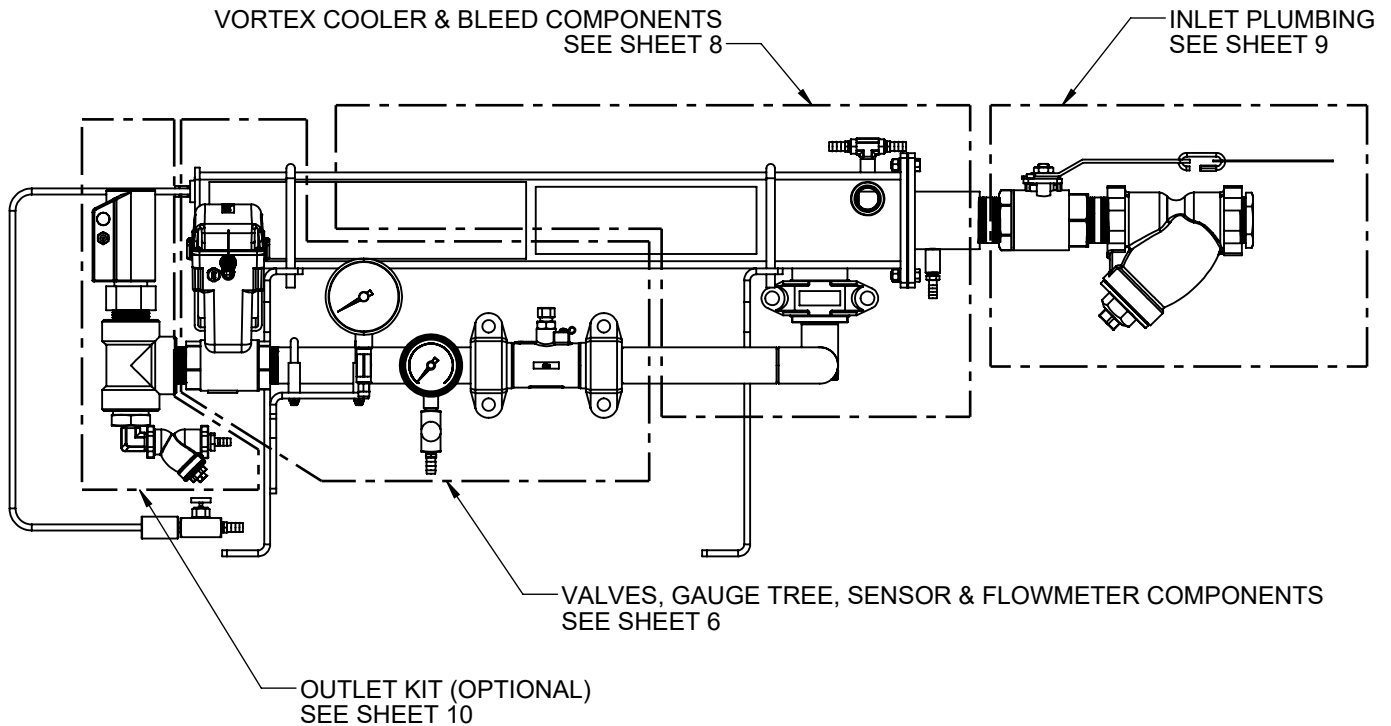
# ACCUFLOW VORTEX AND HP+ SYSTEM DIAGRAM

REF PRODUCT SPECIFICATIONS 003-0159-293, 003-0159-294



DATE	ECO	REV	DRAWING NO.
04/08/24	48468	D	054-1201-001

# ACCUFLOW VORTEX KIT OPTIONS



\*117-0171-612 KIT SHOWN ABOVE

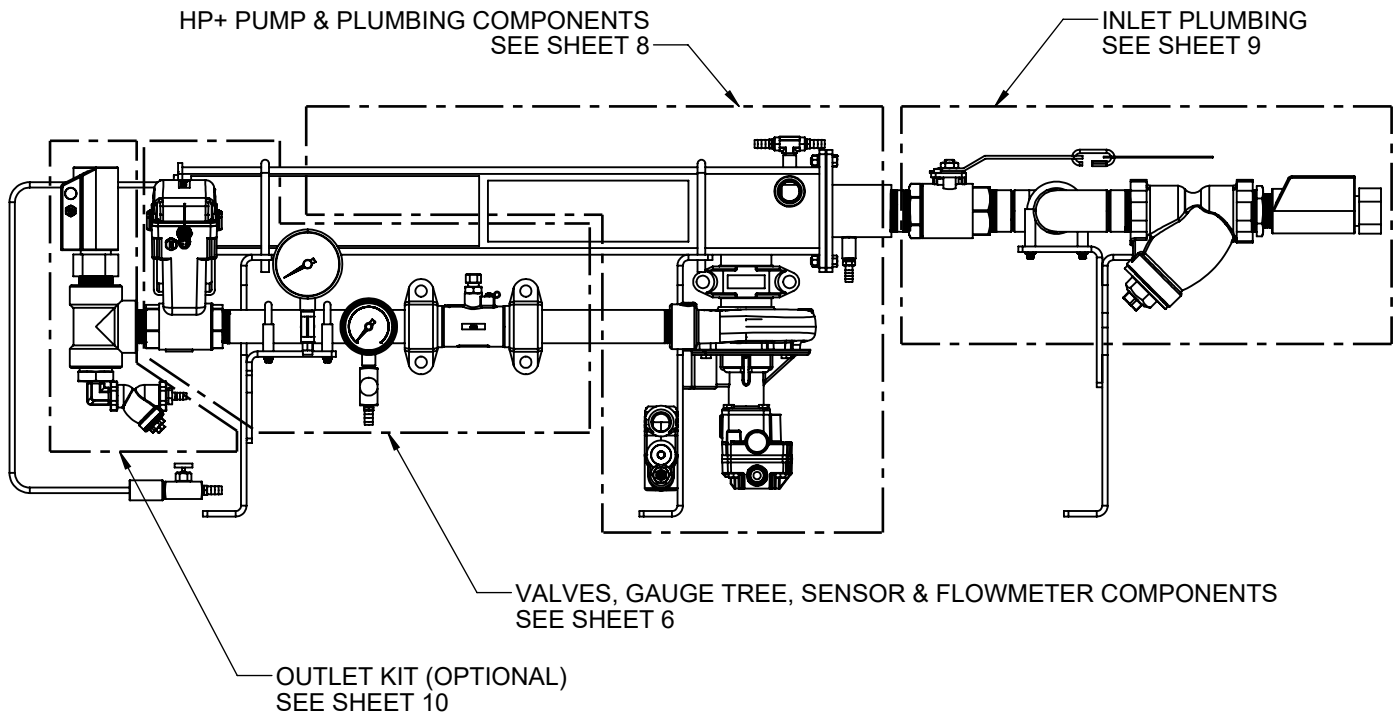
## ASSEMBLED KITS:

<u>PART NUMBER</u>	<u>DESCRIPTION</u>
117-0171-573	KIT, ACCUFLOW VORTEX, FAST VALVE, DUAL INLET
117-0171-574	KIT, ACCUFLOW VORTEX, DUAL VALVE, DUAL INLET
117-0171-612	KIT, ACCUFLOW VORTEX, FAST VALVE, SINGLE INLET
117-0171-613	KIT, ACCUFLOW VORTEX, DUAL VALVE, SINGLE INLET
117-0171-687	KIT, ACCUFLOW VORTEX, FAST VALVE, REVERSE MANIFOLD
117-0171-688	KIT, ACCUFLOW VORTEX, DUAL VALVE, REVERSE MANIFOLD
117-0171-715	KIT, ACCUFLOW VORTEX, STAINLESS, FAST VALVE, DUAL INLET
117-0171-716	KIT, ACCUFLOW VORTEX, STAINLESS, DUAL VALVE, DUAL INLET
117-0171-717	KIT, ACCUFLOW VORTEX, STAINLESS, FAST VALVE, SINGLE INLET
117-0171-718	KIT, ACCUFLOW VORTEX, STAINLESS, DUAL VALVE, SINGLE INLET
117-0171-719	KIT, ACCUFLOW VORTEX, STAINLESS, FAST VALVE, REVERSE MANIFOLD
117-0171-720	KIT, ACCUFLOW VORTEX, STAINLESS, DUAL VALVE, REVERSE MANIFOLD

## UNASSEMBLED KITS:

<u>PART NUMBER</u>	<u>DESCRIPTION</u>
117-0171-622	KIT, ACCUFLOW VORTEX, UNASSEMBLED, FAST VALVE, DUAL INLET
117-0171-623	KIT, ACCUFLOW VORTEX, UNASSEMBLED, DUAL VALVE, DUAL INLET
117-0171-625	KIT, ACCUFLOW VORTEX, UNASSEMBLED, FAST VALVE, REVERSE MANIFOLD
117-0171-626	KIT, ACCUFLOW VORTEX, UNASSEMBLED, DUAL VALVE, REVERSE MANIFOLD
117-0171-627	KIT, ACCUFLOW VORTEX, UNASSEMBLED, FAST VALVE, SINGLE INLET
117-0171-628	KIT, ACCUFLOW VORTEX, UNASSEMBLED, DUAL VALVE, SINGLE INLET
117-0171-723	KIT, ACCUFLOW VORTEX, STAINLESS, UNASSEMBLED, FAST VALVE, DUAL INLET
117-0171-724	KIT, ACCUFLOW VORTEX, STAINLESS, UNASSEMBLED, DUAL VALVE, DUAL INLET
117-0171-726	KIT, ACCUFLOW VORTEX, STAINLESS, UNASSEMBLED, FAST VALVE, REVERSE MANIFOLD
117-0171-727	KIT, ACCUFLOW VORTEX, STAINLESS, UNASSEMBLED, DUAL VALVE, REVERSE MANIFOLD
117-0171-728	KIT, ACCUFLOW VORTEX, STAINLESS, UNASSEMBLED, FAST VALVE, SINGLE INLET
117-0171-729	KIT, ACCUFLOW VORTEX, STAINLESS, UNASSEMBLED, DUAL VALVE, SINGLE INLET
117-0171-790	KIT, PLUMBING, ACCUFLOW VORTEX, SINGLE INLET, 1-1/2" FAST VALVE
117-0171-791	KIT, PLUMBING, ACCUFLOW VORTEX, SINGLE INLET, 1-1/2" DUAL VALVE
117-0171-794	KIT, PLUMBING, ACCUFLOW VORTEX, DUAL INLET, 1-1/2" FAST VALVE
117-0171-795	KIT, PLUMBING, ACCUFLOW VORTEX, DUAL INLET, 1-1/2" DUAL VALVE

# ACCUFLOW HP+ KIT OPTIONS



\*117-0171-571 KIT SHOWN ABOVE

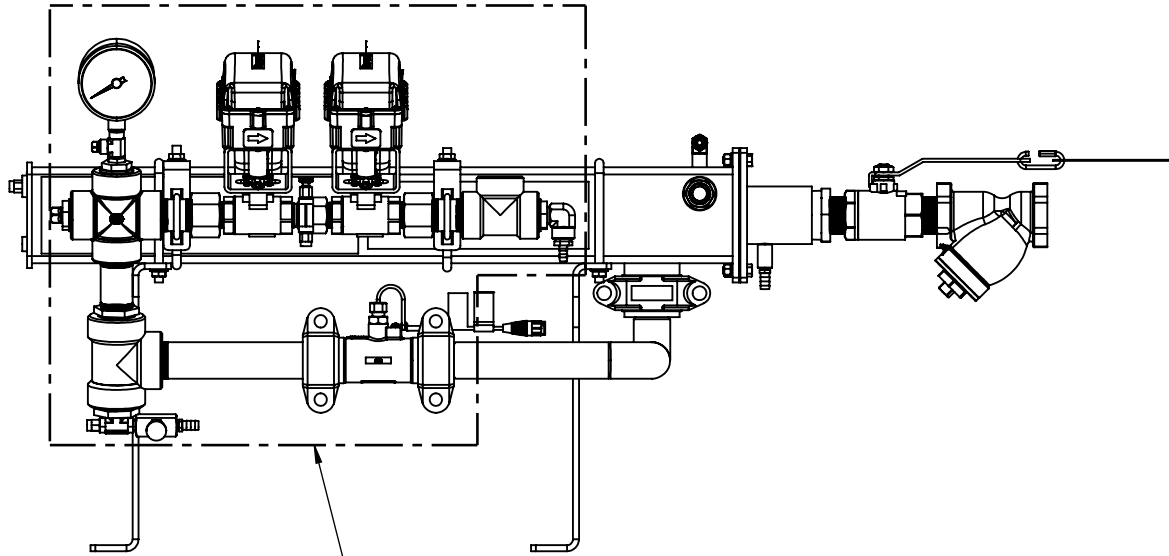
## ASSEMBLED KITS:

<u>PART NUMBER</u>	<u>DESCRIPTION</u>
117-0171-571	KIT, ACCUFLOW HP+, FAST VALVE, DUAL INLET
117-0171-695	KIT, ACCUFLOW HP+, FAST VALVE, REVERSE MANIFOLD
117-0171-714	KIT, ACCUFLOW HP+, STAINLESS, FAST VALVE, DUAL INLET
117-0171-721	KIT, ACCUFLOW HP+, STAINLESS, FAST VALVE, REVERSE MANIFOLD
117-0171-744	KIT, ACCUFLOW HP+, DUAL VALVE, DUAL INLET
117-0171-745	KIT, ACCUFLOW HP+, DUAL VALVE, REVERSE MANIFOLD
117-0171-746	KIT, ACCUFLOW HP+, STAINLESS, DUAL VALVE, DUAL INLET
117-0171-747	KIT, ACCUFLOW HP+, STAINLESS, DUAL VALVE, REVERSE MANIFOLD

## UNASSEMBLED KITS:

<u>PART NUMBER</u>	<u>DESCRIPTION</u>
117-0171-621	KIT, ACCUFLOW HP+, UNASSEMBLED, FAST VALVE, DUAL INLET
117-0171-624	KIT, ACCUFLOW HP+, UNASSEMBLED, FAST VALVE, REVERSE MANIFOLD
117-0171-722	KIT, ACCUFLOW HP+, STAINLESS, UNASSEMBLED, FAST VALVE, DUAL INLET
117-0171-725	KIT, ACCUFLOW HP+, STAINLESS, UNASSEMBLED, FAST VALVE, REVERSE MANIFOLD
117-0171-748	KIT, ACCUFLOW HP+, UNASSEMBLED, DUAL VALVE, DUAL INLET
117-0171-749	KIT, ACCUFLOW HP+, UNASSEMBLED, DUAL VALVE, REVERSE MANIFOLD
117-0171-750	KIT, ACCUFLOW HP+, STAINLESS, UNASSEMBLED, DUAL VALVE, DUAL INLET
117-0171-751	KIT, ACCUFLOW HP+, STAINLESS, UNASSEMBLED, DUAL VALVE, REVERSE MANIFOLD

# ACCUFLOW VORTEX, 1" VALVE KIT OPTIONS



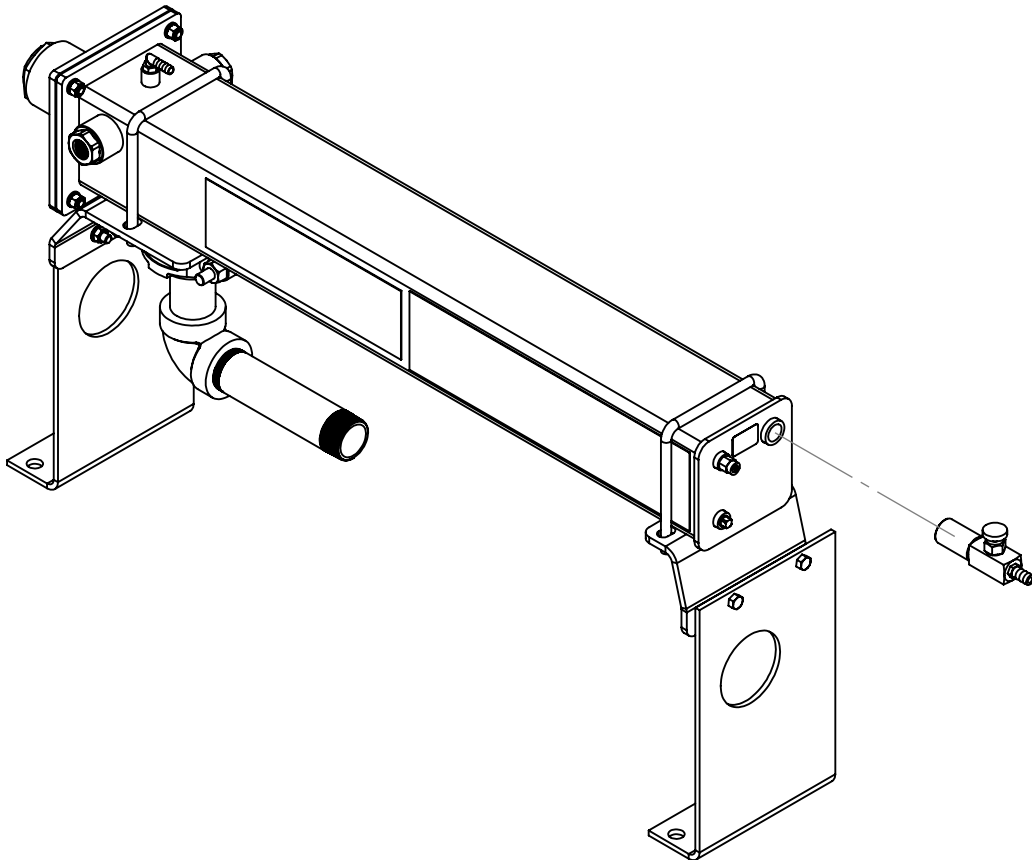
VALVES, GAUGE TREE, SENSOR & FLOWMETER COMPONENTS  
SEE SHEET 7

\*117-0171-711 KIT SHOWN ABOVE

## AVAILABLE KITS:

<u>PART NUMBER</u>	<u>DESCRIPTION</u>
117-0171-711	KIT, ACCUFLOW VORTEX, 1", DUAL VALVE, SINGLE INLET
117-0171-712	KIT, ACCUFLOW VORTEX, 1", FAST VALVE, SINGLE INLET
117-0171-730	KIT, ACCUFLOW VORTEX, 1", STAINLESS, DUAL VALVE, SINGLE INLET
117-0171-731	KIT, ACCUFLOW VORTEX, 1", STAINLESS, FAST VALVE, SINGLE INLET
117-0171-792	KIT, ACCUFLOW VORTEX, 1", PLUMBING, FAST VALVE, SINGLE INLET
117-0171-793	KIT, ACCUFLOW VORTEX, 1", PLUMBING, DUAL VALVE, SINGLE INLET

## REPLACEMENT PARTS & UPGRADE KIT OPTIONS



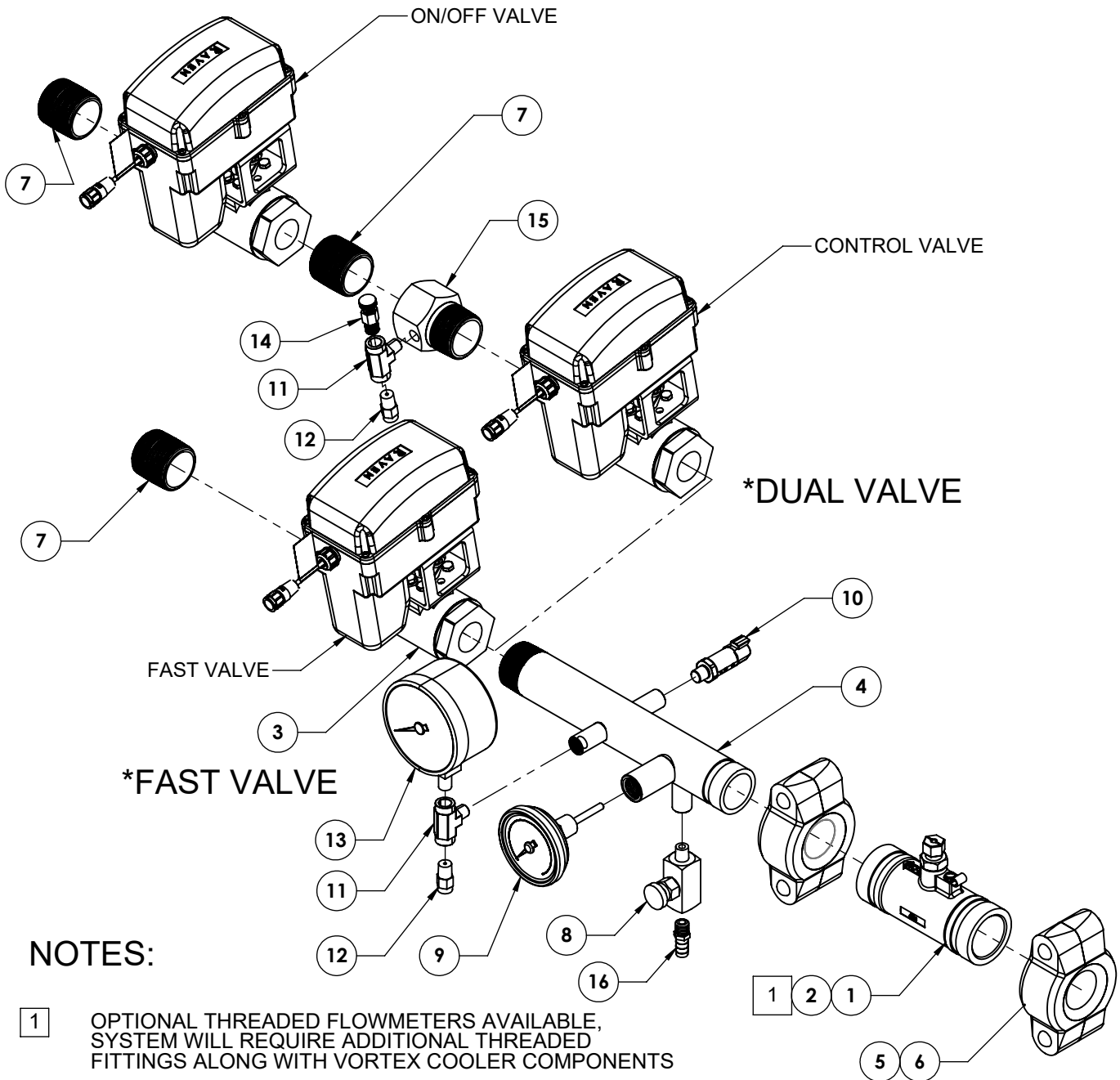
### UPGRADE KITS:

<u>PART NUMBER</u>	<u>DESCRIPTION</u>
117-0171-575	KIT, PUMP UPGRADE, HP+
117-0171-633	KIT, ACCUFLOW VORTEX, CHECK VALVE, 1-1/2" MULTI-SECTION
117-0171-697	KIT, ACCUFLOW VORTEX, STRAINER, REFRIGERANT LINE
117-0171-713	KIT, ACCUFLOW VORTEX, BRACKET & PIPE ADAPTER
117-0171-835	KIT, ACCUFLOW VORTEX, MOUNT TO LEGACY COOLER BRACKETS

### REPLACEMENT PARTS KITS:

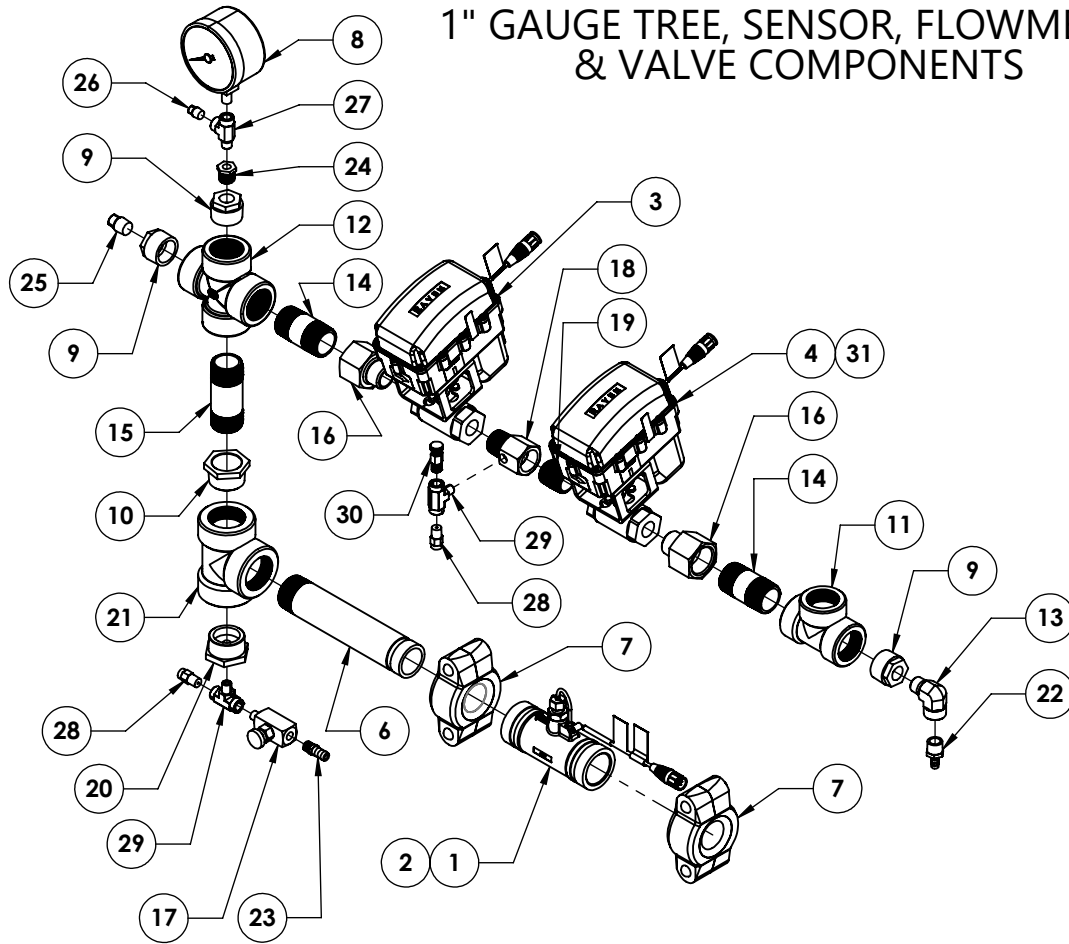
<u>PART NUMBER</u>	<u>DESCRIPTION</u>
117-0171-501	ORIFICE KIT
117-0171-576	KIT, HYDRAULIC MOTOR SEAL, HP+
117-0171-577	KIT, PUMP SEAL, HP+
117-0171-591	KIT, SEAL, ACCUFLOW VORTEX COOLER
117-0171-705	KIT, ON/OFF VALVE, 1" NPT WITH PIPE ADAPTERS
117-0171-706	KIT, CONTROL VALVE, 1" NPT WITH PIPE ADAPTERS
117-0171-707	KIT, FAST VALVE, 1" NPT WITH PIPE ADAPTERS
117-0171-742	KIT, SEAL, HP+ PUMP

# GUAGE TREE, SENSOR, FLOWMETER & VALVE COMPONENTS



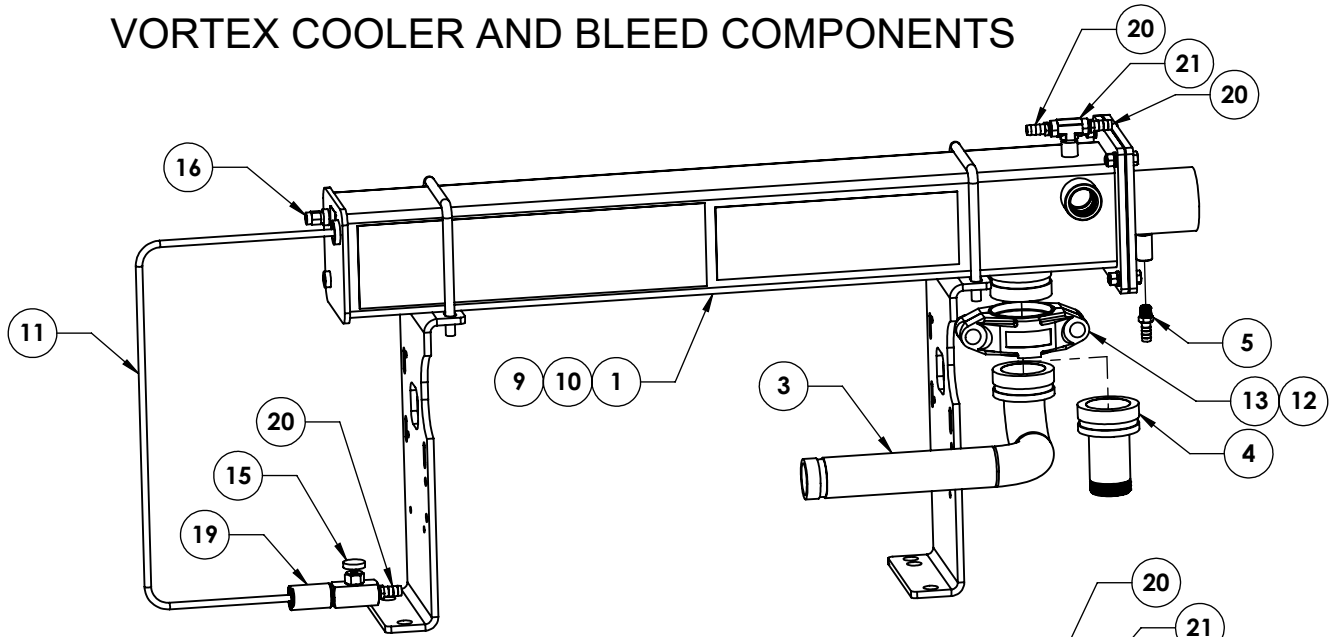
16	333-0002-004	FITTING, HOSE BARB, 1/4" NPT x 3/8 I.D. HOSE	
15	333-0002-214	FITTING, ADAPTER, 1-1/2" NPT WITH 1/4" NPT RELIEF PORT	
14	334-0001-012	BLEED VALVE	
13	417-0001-034	GAUGE, PRESSURE, 0-400 PSI	
12	334-0002-005	VALVE, HYDROSTATIC RELIEF	
11	333-0004-039	FITTING, MALE BRANCH PIPE TEE, 1/4-18 NPTF	
10	422-0000-119	PRESSURE TRANSDUCER, 1-5V, 0-250 PSI, 1/4" NPT, STAINLESS STEEL	
9	417-0001-031	GAUGE, TEMPERATURE	
8	334-0001-064	NEEDLE VALVE, 1/4"NPT MALE/FEMALE	SECONDRY BLEED
7	333-0008-491	FITTING, NIPPLE, 1-1/2" NPT X CLOSE, SCH 80, SEAMLESS, MAGNI 565	
6	333-0006-032	COUPLING, 2" X 1.5", GROOVED, EPDM GASKET	
5	219-0003-267	GASKET, REPLACEMENT, 2" x 1-1/2"	
4	116-0159-743	WELDMENT, GAUGE MANIFOLD	
3	054-0159-342	1-1/2" BALL VALVE REPLACEMENT PARTS	
2	054-0159-334	FLOWMETER, RFM 15SG, REPLACEMENT PARTS	OPTIONAL
1	054-0159-144	FLOWMETER, RFM 60SG, REPLACEMENT PARTS	

# 1" GAUGE TREE, SENSOR, FLOWMETER, & VALVE COMPONENTS

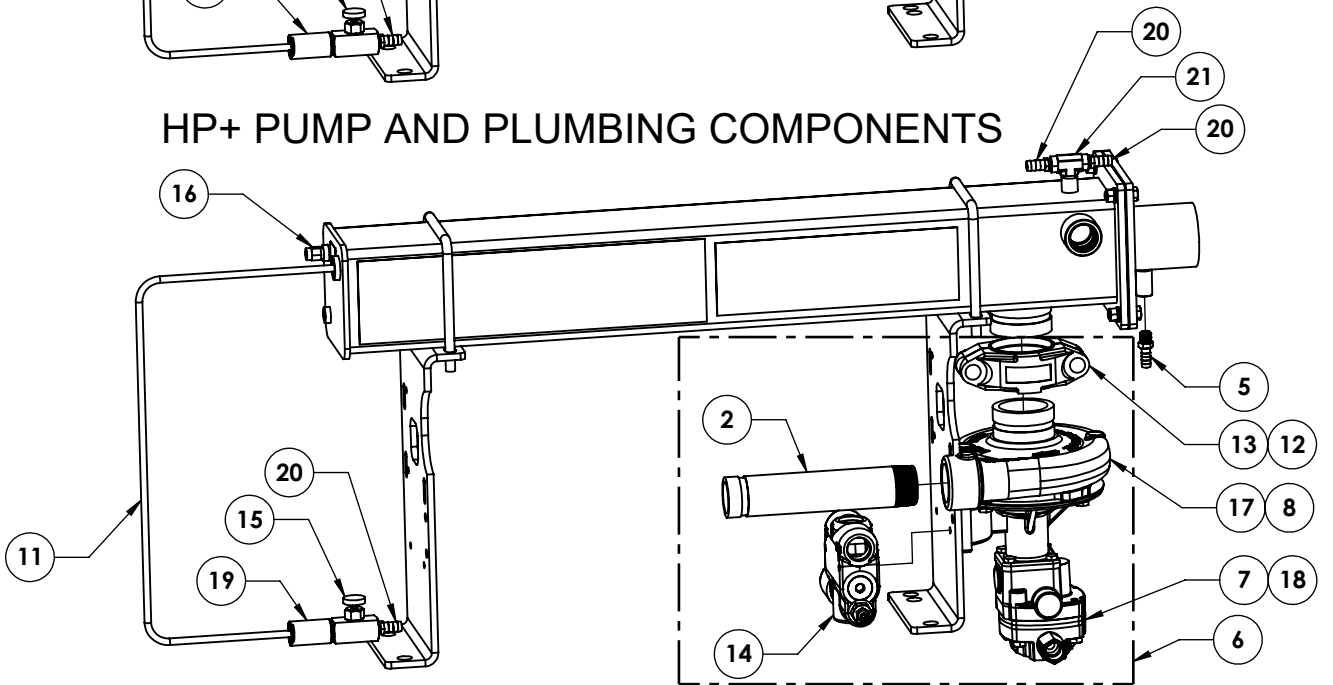


31	054-0159-348	1" BALL VALVE REPLACEMENT PARTS
30	334-0001-012	BLEED VALVE
29	333-0004-039	FITTING, MALE BRANCH PIPE TEE, 1/4-18 NPTF
28	334-0002-005	VALVE, HYDROSTATIC RELIEF
27	333-0004-062	FITTING, MALE RUN PIPE TEE, 1/4" NPT
26	333-0009-082	NPT PIPE PLUG, SQUARE HEAD, 1/4"
25	333-0009-004	NPT PIPE PLUG, SQUARE HEAD, 1/2"
24	333-0003-005	FITTING, PIPE BUSHING, 1/2" NPT X 1/4" NPT
23	333-0002-004	FITTING, HOSE BARB, 1/4" NPT x 3/8 I.D. HOSE
22	333-0002-006	FITTING, HOSE BARB, 1/2 NPT X 3/8 I.D. HOSE
21	333-0004-063	FITTING, TEE, 1-1/2" NPT, CLASS 2000
20	333-0003-030	FITTING, PIPE BUSHING, 1-1/2" NPT x 1/4" NPT
19	333-0008-503	FITTING, NIPPLE, 1" NPT X CLOSE, SCH 80, SEAMLESS
18	333-0002-342	FITTING, ADAPTER, 1" NPT WITH 1/4" NPT RELIEF PORT
17	334-0001-064	NEEDLE VALVE, 1/4"NPT MALE/FEMALE
16	333-0002-343	FITTING, PIPE ADAPTER, 1" NPTM X 1 1/4" NPTF
15	333-0008-041	FITTINGS, PIPE NIPPLES, BLACK IRON SCHEDULE 80, 1-1/4" NPT X 4" L
14	333-0008-040	FITTINGS, PIPE NIPPLES, BLACK IRON SCHEDULE 80, 1-1/4" NPT X 3" L
13	333-0005-076	FITTING, 90 DEG. STREET ELBOW, 1/2" NPT
12	333-0004-065	FITTING, PIPE CROSS, 1-1/4" NPT, FORGED STEEL, 2000#
11	333-0004-064	FITTING, TEE, 1-1/4" NPT, CLASS 2000
10	333-0003-019	FITTING, PIPE BUSHING, 1-1/2" NPT x 1-1/4" NPT, FORGED STEEL
9	333-0003-017	FITTING, PIPE BUSHING, 1-1/4" NPT x 1/2" NPT, FORGED STEEL
8	417-0001-034	GAUGE, PRESSURE, 0-400 PSI
7	333-0006-032	COUPLING, 2" X 1.5", GROOVED, EPDM GASKET
6	019-0159-591	MODIFICATION, GRUV-LOK, PIPE NIPPLE
5	063-0173-878	VALVE, FAST, 1" NPT, NH3 **NOT SHOWN**
4	063-0173-876	VALVE, ON/OFF, 1" NPT, NH3
3	063-0173-877	VALVE, CONTROL, 1" NPT, NH3
2	054-0159-334	FLOWMETER RFM 156S, REPLACEMENT PARTS. (OPTIONAL)
1	063-0173-869	FLOWMETER, RFM 60SG, HP
<b>ITM</b>	<b>PART NUMBER</b>	<b>DESCRIPTION</b>

# VORTEX COOLER AND BLEED COMPONENTS



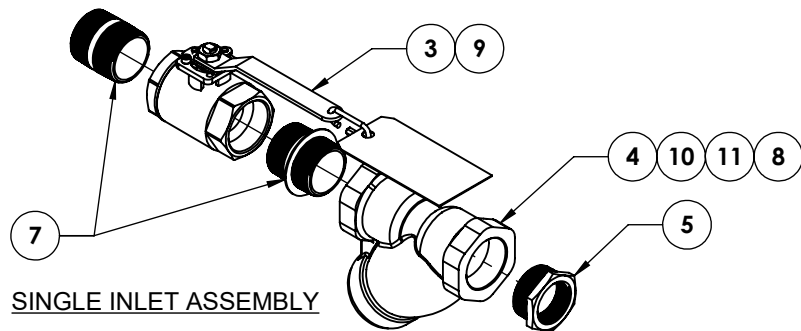
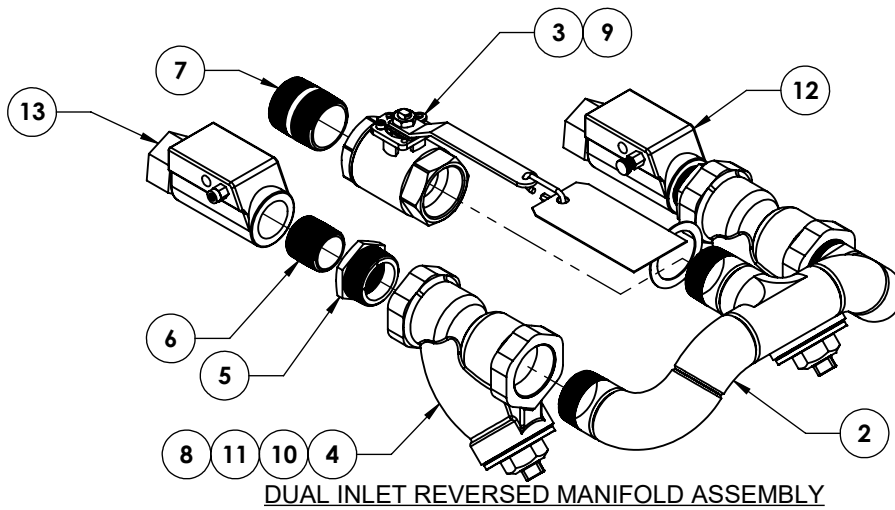
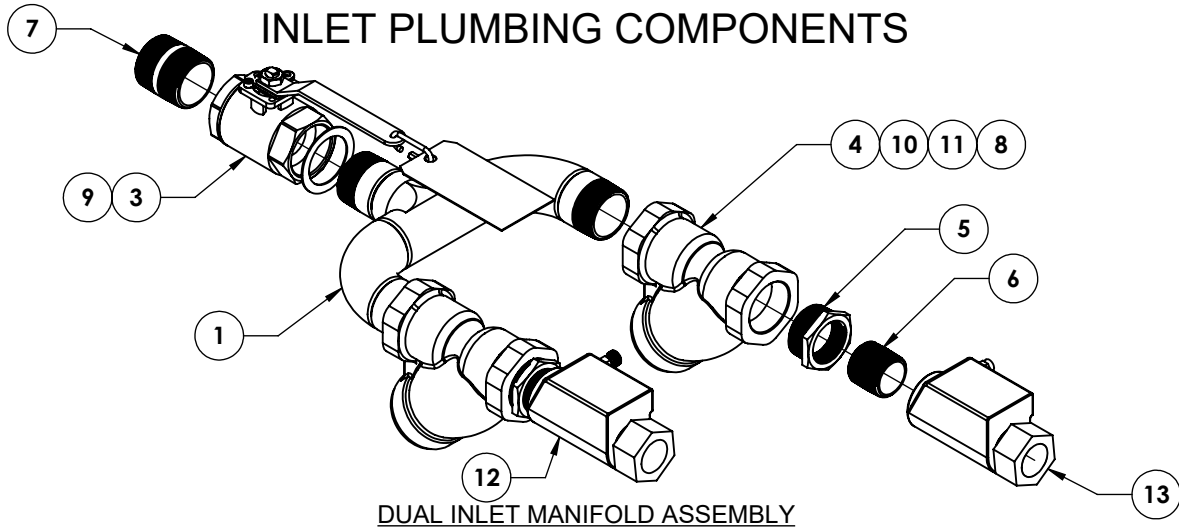
# HP+ PUMP AND PLUMBING COMPONENTS



21	333-0004-039	FITTING, MALE BRANCH PIPE TEE, 1/4-18 NPTF	
20	333-0002-004	FITTING, HOSE BARB, 1/4" NPT x 3/8 I.D. HOSE	
19	333-0002-905	FITTING, COUPLING, REDUCING 1/2" X 1/4" NPT, 304 SS CLASS 3000	
18	416-8000-005	HYDRAULIC MOTOR REPLACEMENT, NH3 HP+ PUMP (FOR 416-1001-010)	
17	416-1001-010	NH3 PUMP, HP+	
16	334-0002-005	VALVE, HYDROSTATIC RELIEF	
15	334-0001-064	NEEDLE VALVE, 1/4"NPT MALE/FEMALE	PRIMARY BLEED
14	334-0001-042	VALVE, BRAND, PULSE WIDTH MODULATION	
13	333-0006-031	COUPLING, 2-1/2", GROOVED, EPDM GASKET	
12	219-0003-266	GASKET, REPLACEMENT, 2-1/2", 7001 COUPLING	
11	214-0001-046	HOSE, NH3 1/2" x 72" BLEED CIRCUIT, HIGH PRESSURE	
10	117-0171-592	KIT, ACCUFLOW DECALS	
9	117-0171-591	KIT, ACCUFLOW, SEAL & HARDWARE	
8	117-0171-577	KIT, HP+ BOOST PUMP SEAL	
7	117-0171-576	KIT, HP+ HYDRAULIC MOTOR SEAL	
6	117-0171-575	KIT, HP+ PUMP UPGRADE	
5	117-0171-501	KIT, ORIFICE, NH3	
4	116-0159-776	WELDMENT, 2-1/2" GRUVLOK TO 1-1/2" NPT ADAPTER	OPTIONAL
3	116-0159-752	WELDMENT, OUTLET MANIFOLD	
2	019-0159-591	MODIFICATION, GRUV-LOK, PIPE NIPPLE	
1	063-0173-663	ASSEMBLY, VORTEX COOLER (BOXED)	

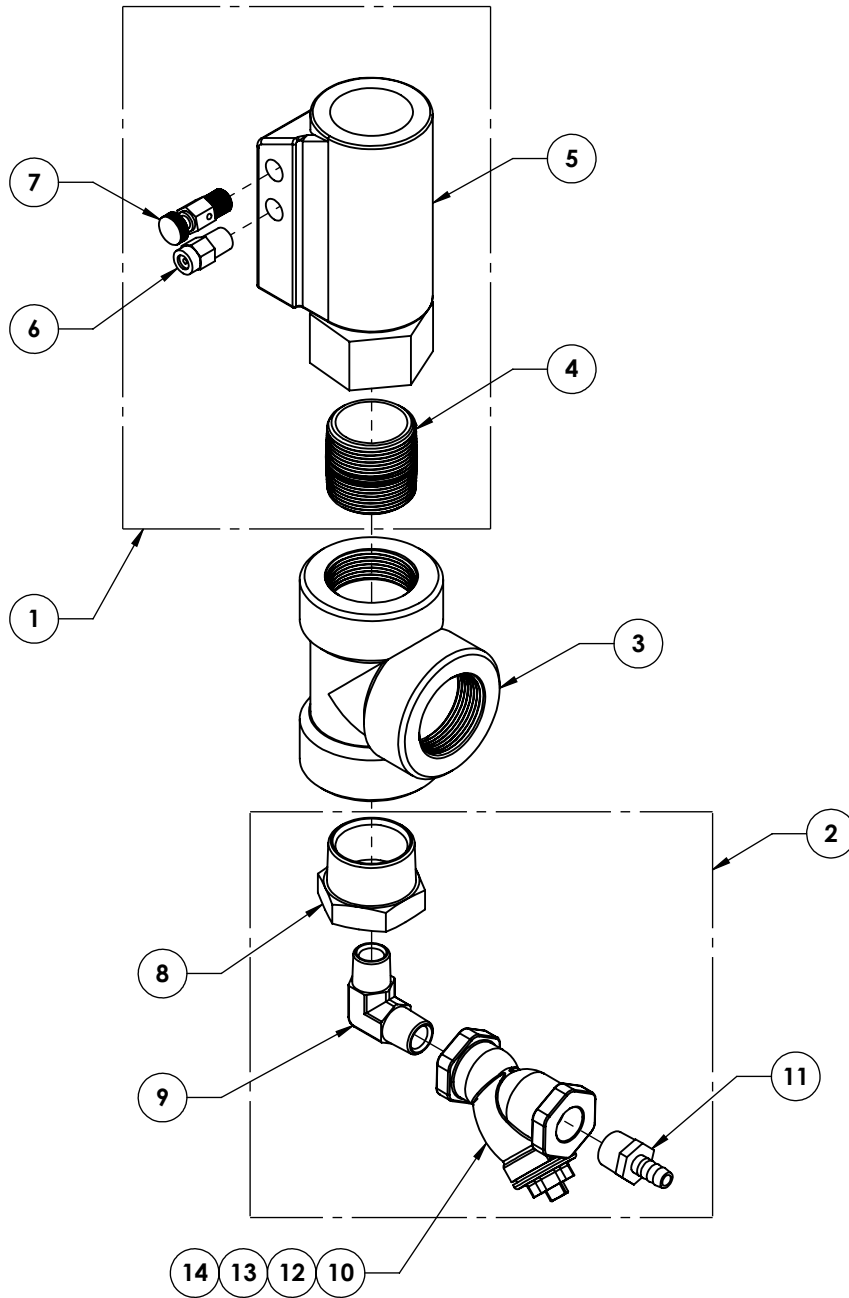


# INLET PLUMBING COMPONENTS



13	063-0173-691	BACK CHECK VALVE WITH HYDROSTAT	
12	063-0173-692	BACK CHECK VALVE WITH BLEED VALVE	
11	418-0000-001	STRAINER MAGNET	
10	333-9000-071	STRAINER SCREEN, 40 MESH	
9	321-0000-359	ROPE, BRAIDED POLY, 1/4" (INCLUDED IN KIT 117-0171-597)	
8	219-0000-161	GASKET, TEFLON WASHER, 2" STRAINER, NH3	
7	333-0008-493	FITTING, NIPPLE, 2" NPT X CLOSE, SCH 80, SEAMLESS, MAGNI 565	
6	333-0008-491	FITTING, NIPPLE, 1-1/2" NPT X CLOSE, SCH 80, SEAMLESS, MAGNI 565	
5	333-0003-097	FITTING, REDUCING BUSHING, 2" X 1-1/2" NPT, CLASS 3000, MAGNI 565	
4	063-0173-655	STRAINER, Y-TYPE, 2" W/MAGNETS	
3	063-0173-627	ASSEMBLY, 2" VALVE	
2	116-0159-755	WELDMENT, INLET MANIFOLD, REVERSED	
1	116-0159-742	WELDMENT, INLET MANIFOLD	

# OUTLET KIT COMPONENTS (OPTIONAL)



14	418-0000-010	MAGNET, ROUND	NOT SHOWN
13	333-9000-076	1/2" Y-STRAINER SCREEN, 40 MESH	NOT SHOWN
12	219-0000-167	GASKET, REPLACEMENT, 1/2" Y-STRAINER	NOT SHOWN
11	333-0002-006	FITTING, HOSE BARB, 1/2 NPT X 3/8 I.D. HOSE	
10	333-9000-075	ASSEMBLY, Y STRAINER, 0.50: YS12M-DI THREAD END 300#	
9	333-0005-075	ELBOW, 1/2"NPT, 90 DEGREE MALE PIPE	
8	333-0003-099	FITTING, PIPE REDUCER BUSHING, 1 1/2-11 1/2 NPTF, 1/2-14 NPTF	
7	334-0001-012	BLEED VALVE	
6	334-0002-005	VALVE, HYDROSTATIC RELIEF	
5	333-0011-103	CHECK VALVE, 1-1/2" FNPT X 1-1/2" FNPT, FULL PORT	
4	333-0008-491	FITTING, NIPPLE, 1-1/2" NPT X CLOSE, SCH 80, SEAMLESS, MAGNI 565	
3	333-0004-034	FITTING, TEE, 1-1/2" NPT, CLASS 2000, MAGNI 565	
2	117-0171-697	KIT, STRAINER, REFRIGERANT LINE, NH3	
1	117-0171-633	KIT, CHECK VALVE, 1-1/2" MULTI SECTION, NH3	
<b>ITM</b>	<b>PART NUMBER</b>	<b>DESCRIPTION</b>	<b>SPECIAL NOTE</b>