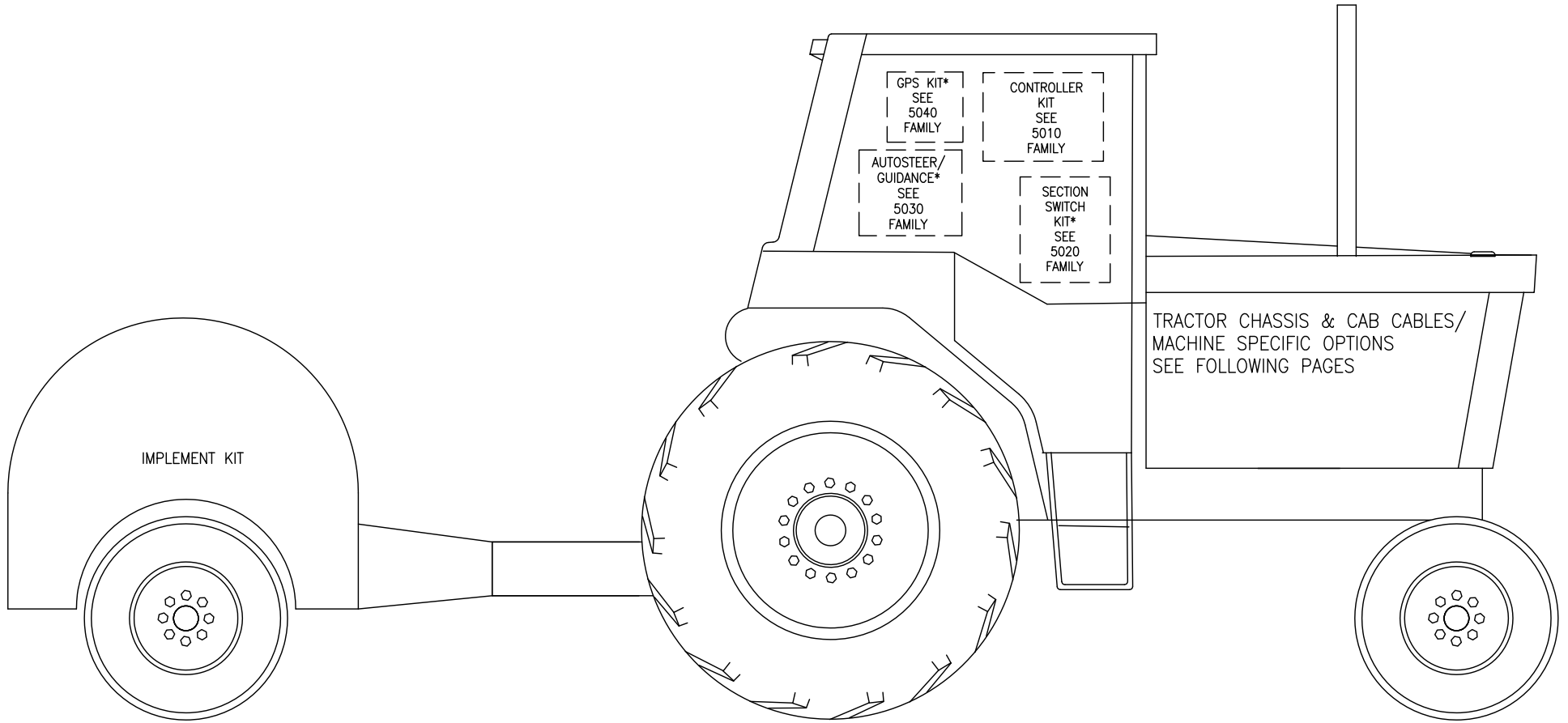


RAVEN CANBUS ELECTRICAL HARDWARE FOR TRACTORS



* IF APPLICABLE

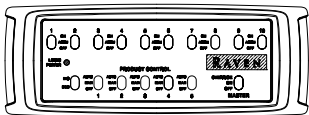
- 1) PLANTER KIT – SEE 3XXX FAMILY
- 2) SPRAYER/SPREADER KIT – SEE 5100 FAMILY
- 3) NH3 TOOLBAR KIT – SEE 5300 FAMILY

RELEASED DATE	ECO NO.	PROD. MGR.	SERV. MGR.	PROD. CHAMP.	ENG.	DRAFT.	REV.	DRAWING NO.
6/27/13	E21362	SSS	AT	SAH	CRM	BJH	D	054-5000-001
5/9/16	E27776	NGL	SAH	-	CRM	JJP	E	054-5000-001

GEN II SYSTEM CABLING CONNECTIONS

D

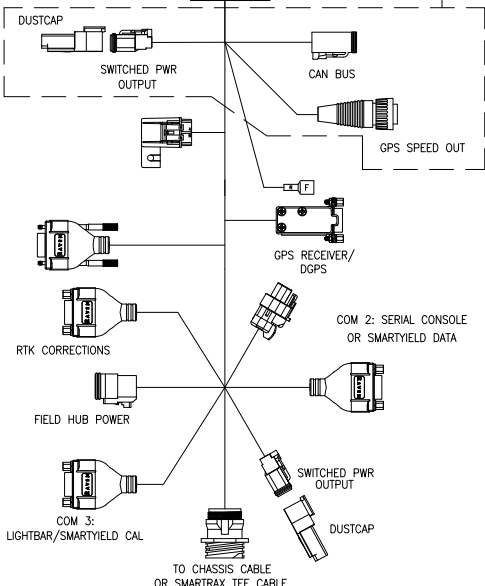
D



RAVEN CAN SWITCHBOX
(FOR USE WITH MULTIPLE APPLICATIONS)

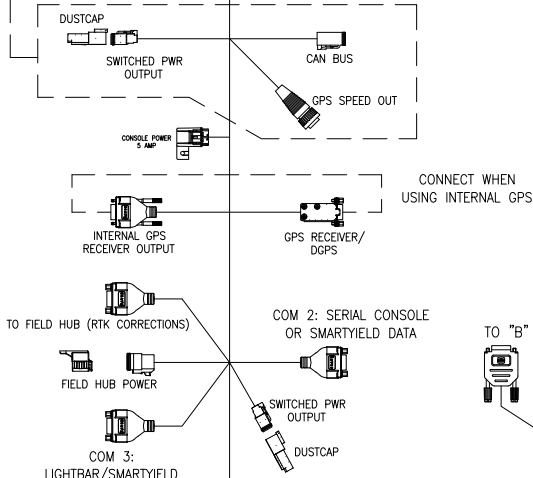
TO VIPER 4/VIPER 4+

VIPER 4 CHASSIS CABLE INTERFACE
115-0172-025

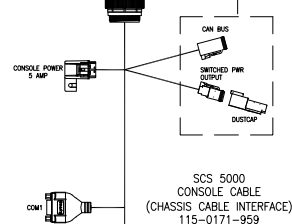


TO ENVIZIO PRO (II)/VIPER PRO

ENVIZIO PRO (II)/VIPER PRO CHASSIS CABLE INTERFACE
115-0172-001

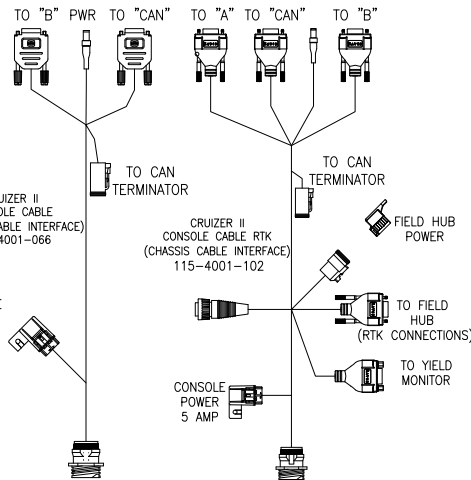


TO SCS 5000



OR

TO CRUIZER II

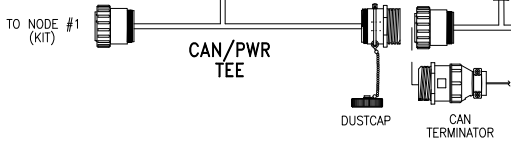
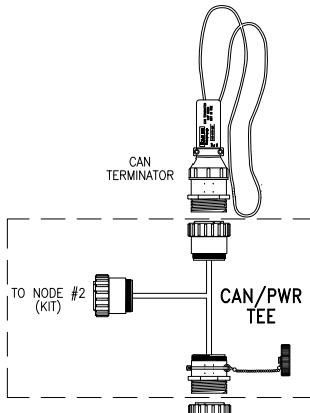


C

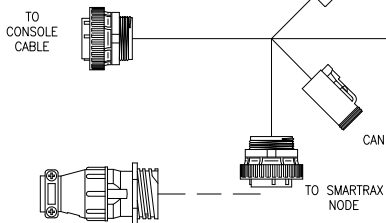
C

B

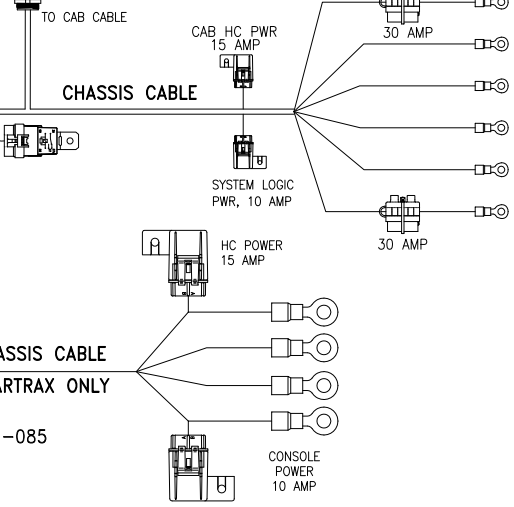
B



OR
REMOTE SWITCH



CHASSIS CABLE
SMARTRAX ONLY
115-4001-085



A

A

RELEASED DATE	ECO NO.	PROD. MGR.	SERV. MGR.	PROD. CHAMP.	ENG.	DRAFT.	REV.	DRAWING NO.
6/27/13	E21362	SSS	AT	SAH	CRM	BJH	D	054-5000-001
5/9/16	E27776	NGL	SAH	-	CRM	JJP	E	054-5000-001

4

3

2

1

4 3 2 1

TRACTOR/MACHINE/IMPLEMENT SPECIFIC CABLES AND ACCESSORIES

Select One (1) Chassis Cable:

115-0171-915 Cable, Power/CAN, Chassis, Tractors with Front Mounted Batteries
 Approved Tractor Models: CAT Challenger-MT 700, 800, 900; JD 6x20, 6x30, 7220, 7320, 7420, 7520, 7230, 7330, 7430, 7530 (Small Frame 7x20 and 7x30 Series JD)

115-0171-936 Cable, Power/CAN, Chassis, Generic 4WD Tractors
 Approved Tractor Models: JD 4WD; Case IH 4WD; New Holland 4WD; Buhler 4WD

115-0171-937 Cable, Power/CAN, Chassis, Row Crop Tractors
 Approved Tractor Models: Case IH Row Crop Tractors, CAT Challenger MT500, 600; JD 7x00, 7x10; New Holland Row Crop

115-0171-938 Cable, Power/CAN, Chassis, Large Frame JD and Buhler Row Crop Tractors
 Approved Tractor Models: JD 8x00, 8x10, 8x20, 8x30, 7620, 7720, 7820, 7920, 7630, 7730, 7830, 7930; Buhler Row Crop Tractors

115-4001-085 Cable, Power/CAN, Chassis, Steering Only Systems

115-0172-046 Cable, Power/CAN, Chassis, Small Tractors

Optional:

115-0171-929 Cable, 10' Extension, Cab Cable to Chassis Cable
 117-0171-298 Kit, Magnetic Mount, Proximity Remote Switch

Select One (1) Field Computer/Console Cable:

115-0172-025 Viper 4 Console Cable, Chassis Cable Interface, Gen II

115-0172-001 Envizio Pro (II)/Viper Pro Console Cable, Chassis Cable Interface, Gen II RTK

115-0172-047 VPro/EPro Console Cable, Gen II, Small Tractors

115-0171-959 SCS 5000 Console Cable, Chassis Cable Interface, Gen II

115-4001-066 Cruizer II Console Cable, Chassis Cable Interface, Gen II

115-4001-102 Cruizer II Console Cable, Chassis Cable Interface, Gen II RTK

115-0171-995 SCS 4070 Console Cable, Chassis Cable Interface, Gen II

115-0172-003 SCS 4400 Console Cable, Liquid Product, Gen II (includes chassis cabling)

Select One (1) CAN/Power Tee Extension Cable for Each Node (excluding SmarTrax and OmniRow Planter nodes)

115-0171-928 Cable, CAN/Power Implement Tee, 12" Lg
 115-0171-951 Cable, CAN/Power Implement Extension Tee, 6' Lg
 115-0171-916 Cable, CAN/Power Implement Extension Tee, 12' Lg
 115-0171-917 Cable, CAN/Power Implement Extension Tee, 24' Lg
 115-0171-934 Cable, CAN/Power Implement Extension Tee, 36' Lg
 *Optional Extensions Available; Reference DWG 054-3001-016

Select One (1) CAN TERMINATOR per implement (already included in OmniRow Planter, Product Controller, & AccuFlow System kits)

063-0173-224 Terminator, CAN Passive, 16 Pin AMP

Select One (1) In-Cab CAN terminator (already included in OmniRow Planter System, Steering Only Chassis Cables, and Boom Sense/Speed/CAN SwitchBox Kits)

063-0172-369 Terminator, CAN Passive

Select One (1) SmarTrax Tee Interface Cable (if applicable, not required with Steering Only Chassis Cables)

115-4001-070 Cable, 6" Tee, SmarTrax to Cab Cable
 115-4001-071 Cable, 72" Tee, SmarTrax to Cab Cable

Select One (1) Speed Sensor Extension Cable (if applicable)

115-0171-262 10' 115-0159-018 24'
 115-0159-032 12' 115-0171-241 29'
 115-0171-239 18' 115-0171-225 34'

RELEASED DATE	ECO NO.	PROD. MGR.	SERV. MGR.	PROD. CHAMP.	ENG.	DRAFT.	REV.	DRAWING NO.
6/27/13	E21362	SSS	AT	SAH	CRM	BJH	D	054-5000-001
5/9/16	E27776	NGL	SAH	-	CRM	JJP	E	054-5000-001

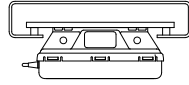
PAGE 3 OF 4

4 3 2 1

TRACTOR/MACHINE/IMPLEMENT SPECIFIC CABLES AND ACCESSORIES

Radar (if applicable)

063-0172-143



NOTE: Various adapter cables to alternate speed sensors/radars are available. (Refer to DWG. 054-5000-002)

For Sprayers operating MORE than two High Volume Injection Pumps at the same time, select One (1) Power Cable and One (1) Injection Pump Add On Cable for EACH additional pump:

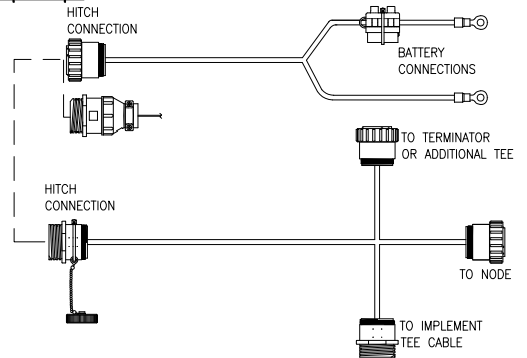
115-0171-953 Cable, Power, Chassis, 3rd or 4th Injection Pump Add On

115-0171-954 Cable, Node, 6', 3rd or 4th Injection Pump Add On

115-0171-955 Cable, Node, 12', 3rd or 4th Injection Pump Add On

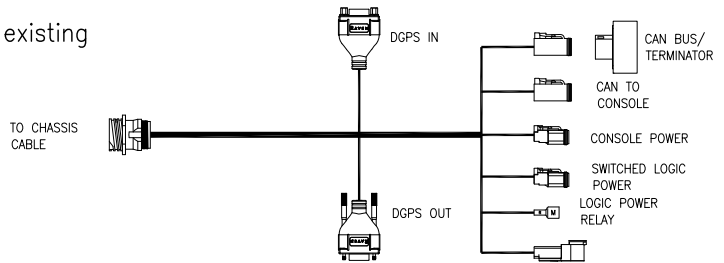
115-0171-956 Cable, Node, 24', 3rd or 4th Injection Pump Add On

115-0171-957 Cable, Node, 36', 3rd or 4th Injection Pump Add On

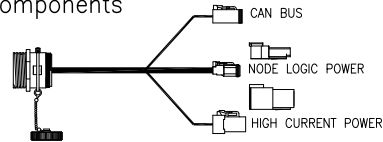


For systems already equipped with Console or Field Computer cabling, purchase vehicle cab retrofit cable:

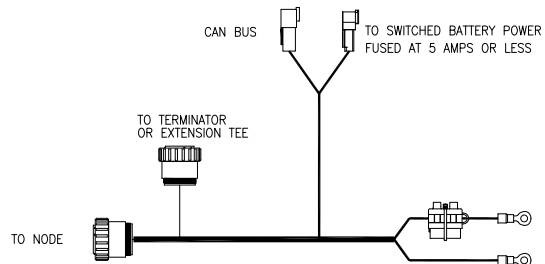
115-0171-927 Cable, Cab, Pwr/CAN, Retrofit to existing Console/Field Computer



115-0172-041 Cable, Adapter, Gen II Cabling to Gen I Components



115-0172-052 Cable, Adapter, Gen I Cabling to Gen II Components (30 amp max)



RELEASED DATE	ECO NO.	PROD. MGR.	SERV. MGR.	PROD. CHAMP.	ENG.	DRAFT.	REV.	DRAWING NO.
6/27/13	E21362	SSS	AT	SAH	CRM	BJH	D	054-5000-001
5/9/16	E27776	NGL	SAH	-	CRM	JJP	E	054-5000-001