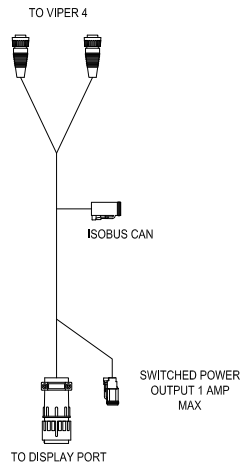
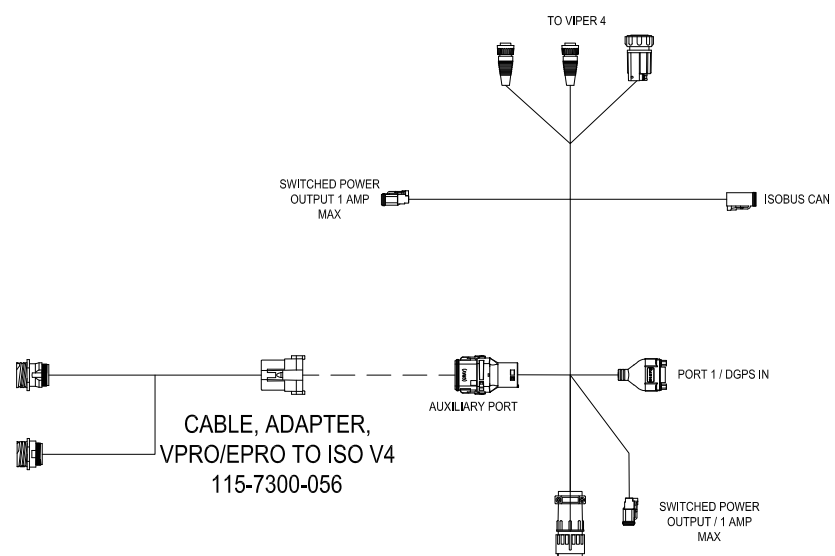


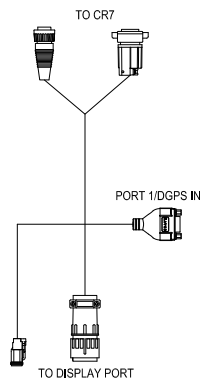
# RAVEN ISOBUS DISPLAY HARNESSING OPTIONS



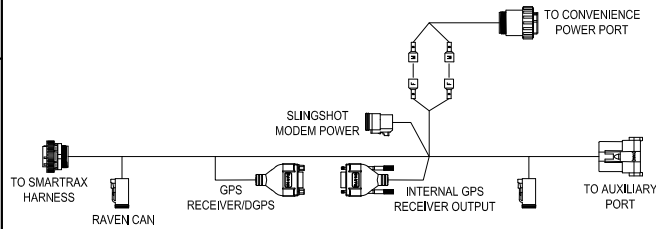
**CABLE, CONSOLE, VIPER 4  
ISO VT  
115-7300-135**



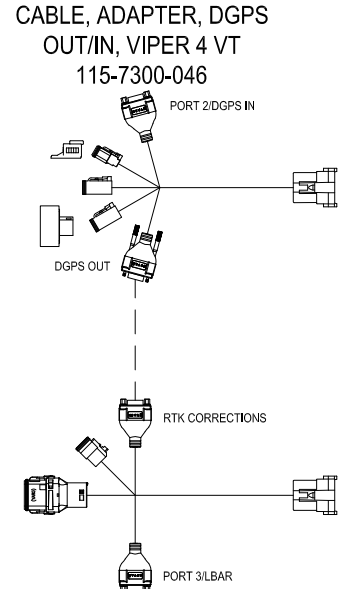
**CABLE, ADAPTER,  
VPRO/EPRO TO ISO V4  
115-7300-056**



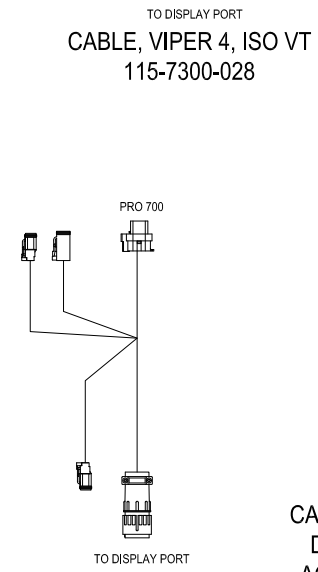
**CABLE, CR7, ISO VT  
HARNESS  
115-7300-092**



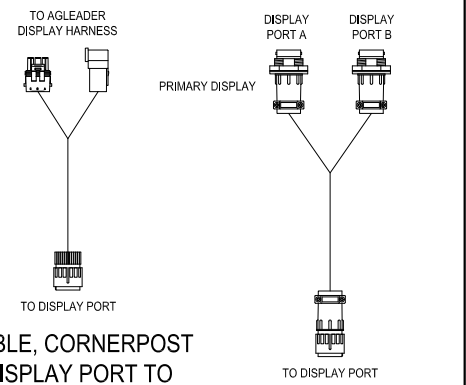
**CABLE, ADAPTER, VIPER 4  
VT AUX PORT TO  
SMARTRAX GEN II  
HARNESS  
115-4001-243**



**CABLE, ADAPTER,  
RTK/LIGHTBAR, VIPER 4 VT  
115-7300-045**



**CABLE, VIPER 4, ISO VT  
115-7300-028**



**CABLE, CORNERPOST  
DISPLAY PORT TO  
AGLEADER DISPLAY  
HARNESS  
115-7300-134**

**CABLE, DISPLAY PORT, Y  
ADAPTER  
115-7300-132**

**CABLE, CAN/PWR RAVEN ISO  
BULKHEAD TO CNH DISPLAY  
115-7300-041**

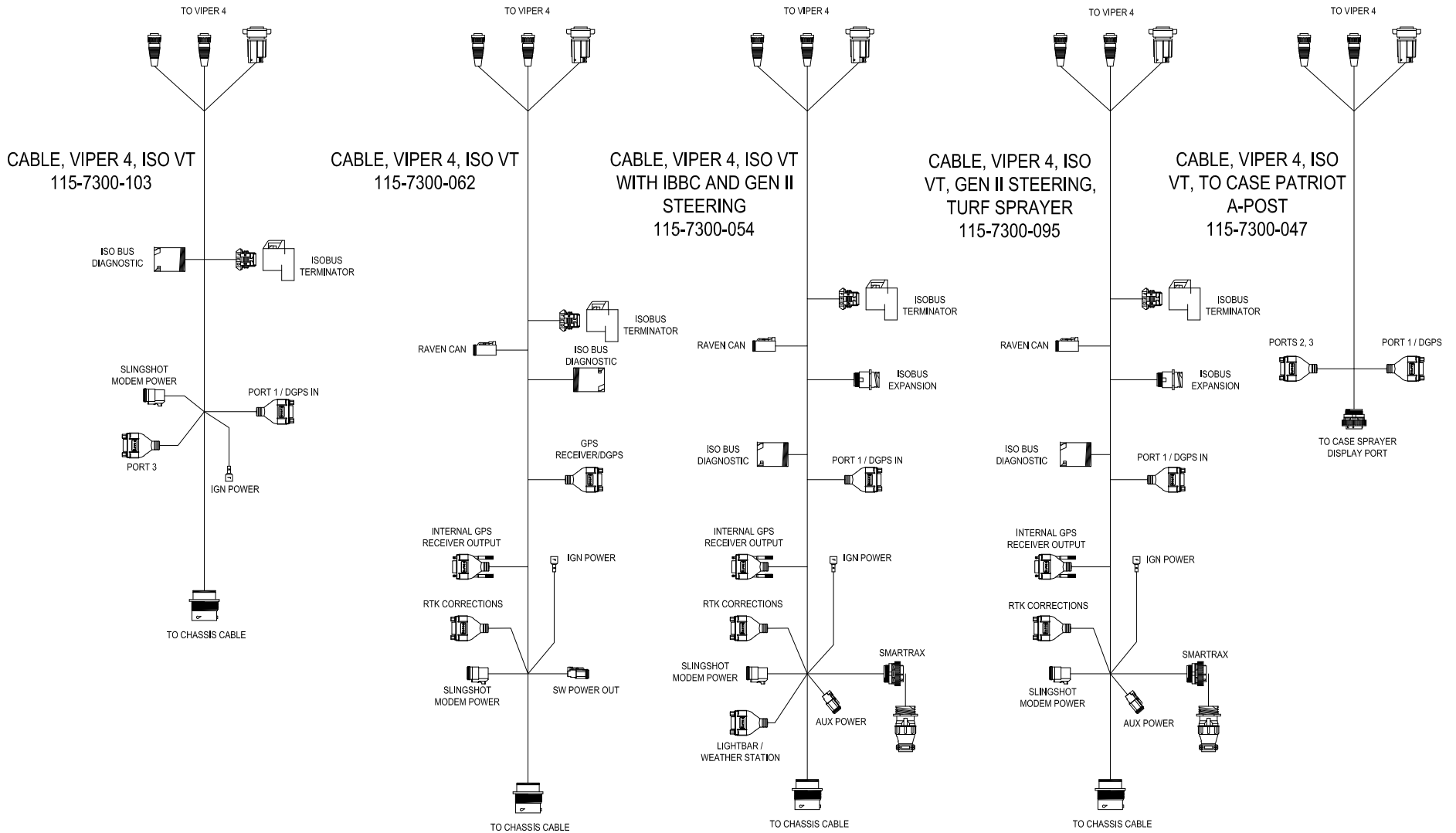
NOTE: REFER TO 054-7000-002 FOR IN-CAB TRACTOR CONNECTION OPTIONS.

RAVEN DISPLAY PORT COMPATIBLE WITH JOHN DEERE TRACTOR CORNER POST CONNECTION.

RELEASED DATE	ECO #	REV.	DRAWING NO.
8/29/17	29879	A	054-6010-002

# RAVEN ISOBUS DISPLAY HARNESSING OPTIONS

## ONLY SUITABLE FOR USE WITH VIPER 4 AS STAND-ALONE



NOTE: REFER TO 054-7000-002 FOR CHASSIS HARNESS OPTIONS.

RELEASED DATE	ECO #	REV.	DRAWING NO.
8/29/17	29879	A	054-6010-002