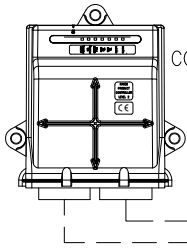
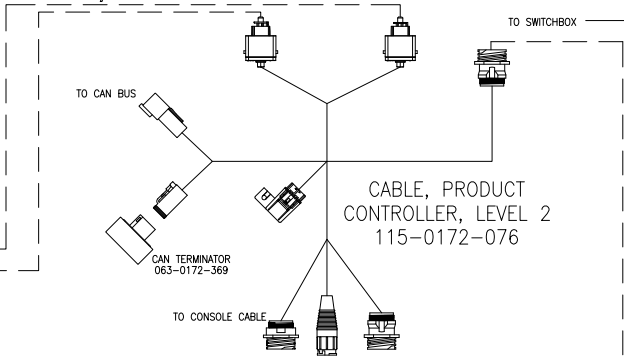


RETRO FIT SCS 460/660 PRODUCT CONTROLLER SYSTEM

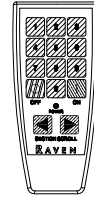


NODE, PRODUCT CONTROLLER, LEVEL 2 WITH BOOM SENSE
063-0173-414



CABLE, PRODUCT CONTROLLER, LEVEL 2
115-0172-076

USE CABLE 115-0159-839 IN PLACE OF SWITCHBOX 063-0171-335 WHEN CONNECTING TO EXISTING BOOM SWITCHES



WIRELESS SECTION CONTROL REMOTE
063-0173-016 (OPTIONAL)

PRESSURE SENSOR CABLES

- 6': 115-0171-235
- 12': 115-0171-151
- 37': 115-0171-224
- 44': 115-0171-296

PRESSURE SENSOR CABLES

- 10': 115-0171-152
- 3': 115-0171-153
- 30': 115-0171-176

CONSOLE CABLE

3' LONG: 115-0159-786

- ORANGE — +12VDC SWITCHED
- WHITE — GROUND

RADAR POWER CABLE

12': 115-0159-539

SPEED EXTENSION CABLES

- 10': 115-0171-262
- 12': 115-0159-032
- 18': 115-0171-239
- 24': 115-0159-018
- 29': 115-0171-241
- 34': 115-0171-225

EXTENSION CABLE

- 24': 115-0159-717
- 12': 115-0171-301

FLOW CABLE

- 24': 115-0171-206
- 12': 115-0171-302

FLOW EXTENSION CABLES

- 6' LONG: 115-0159-016*
- 12' LONG: 115-0159-017*
- 24' LONG: 115-0159-019*
- 36.5' LONG: 115-0171-544*

* CAN ALSO BE USED FOR PRESSURE SENSOR EXTENSIONS

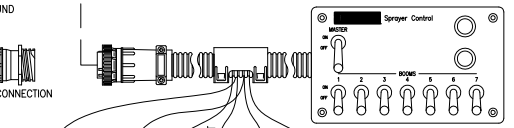
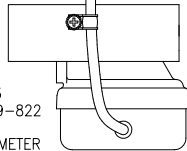
PRESSURE SENSOR
422-0000-090

SPEED SENSORS

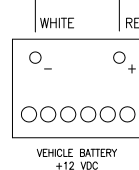
- RADAR (RADAR ONLY): 063-0172-143
- RADAR (KIT WITH POWER CABLE): 117-0159-822

** WIDE VARIETY OF WHEEL DRIVE, SPEEDOMETER AND RADAR ADAPTER CABLING. CONSULT RAVEN SALES REPRESENTATIVE FOR PART NUMBERS **

** OPTIONAL CONSOLE, FLOW AND EXTENSION CABLING AVAILABLE. CONSULT A RAVEN SALES REPRESENTATIVE FOR PART NUMBERS **



BOOM SWITCHBOX
063-0171-335

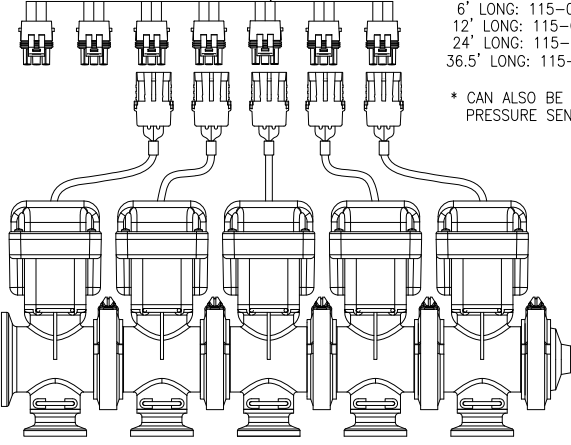


VEHICLE BATTERY
+12 VDC

CONTROL VALVE

FLOW EXTENSION CABLES

FLOW METER



BOOM VALVES

- 1 SECTION: 063-0171-926
- 3 SECTION: 063-0171-928
- 5 SECTION: 063-0172-039

RELEASED DATE	ECO NO.	PROD. MGR.	SERV.	PROD. CHAMP.	ENG.	DRAFT.	REV.	DRAWING NO.
10/29/12	E19265	DSP	AT	DRG	CRS	JJP	A	054-5100-014