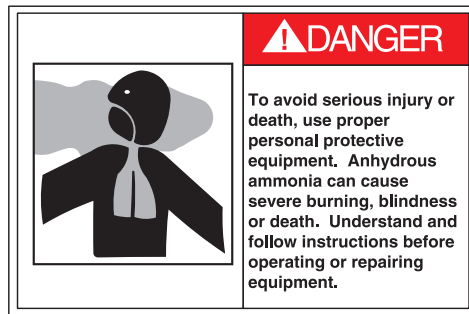


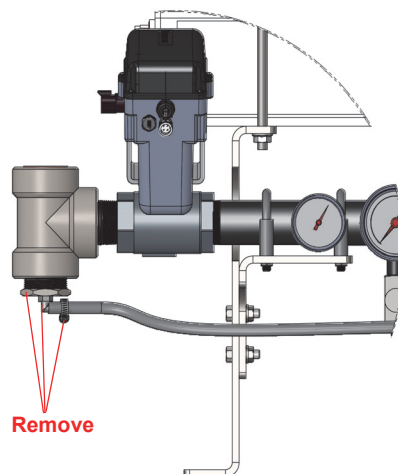
# Refrigerant Line Y-Strainer Installation

Completely discharge all anhydrous ammonia from the system before starting. Refer to the AccuFlow™ Manual for complete discharge instructions.



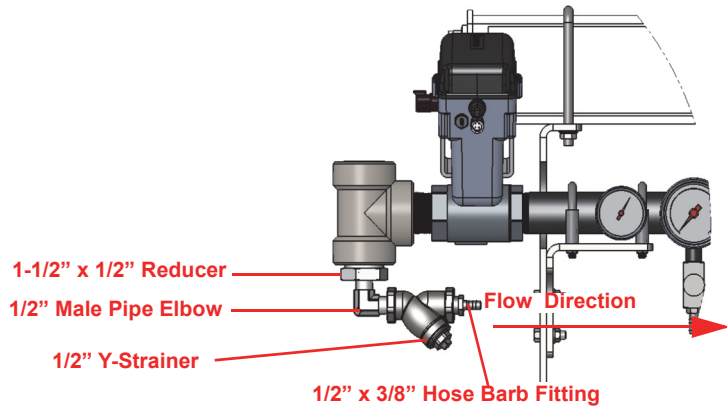
## Installation

1. Remove the 3/8" hose from the hose barb.

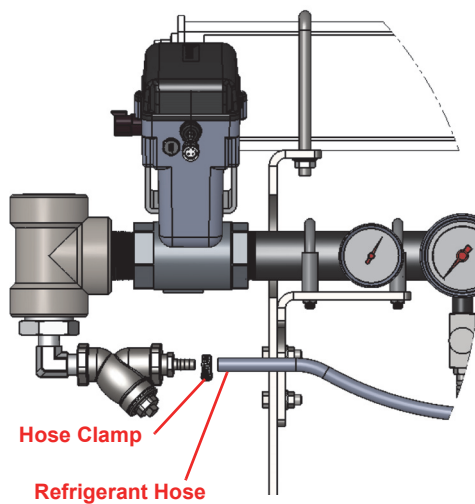


2. Remove the 1-1/2" bushing and the hose barb fitting.
3. Apply thread sealant to the male threads of the new 1-1/2" x 1/2" reducer and 1/2" elbow.

4. Install the 1-1/2" x 1/2" reducer and 1/2" elbow into the tee.



5. Attach the Y-strainer assembly to the elbow. Make sure the strainer flow direction is oriented in the direction shown in the above.
6. Reassemble the 3/8" hose and secure with a hose clamp. Shorten the hose as needed.



# Replacement Parts

Description	Part Number	Number Reference
1/2" Y-Strainer with Magnets	063-0173-897	1
Replacement 40 Mesh Screen	333-9000-076	2
Replacement Gasket	219-0000-167	3
Magnet, Round	418-0000-010	4

