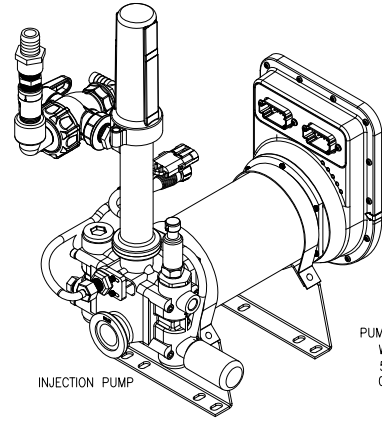


NOTES:

- 1. THE SOLE PURPOSE OF THIS DRAWING IS TO PROVIDE PROPER DOCUMENTATION FOR INSTALLATION PURPOSES ONLY AND DOES NOT NECESSARILY DEPICT ACCURATE KIT CONTENTS.
- 2. BATTERY POWER = CONNECT TO LIVE OR UNCLEAN SWITCHED POWER SOURCE.
- 3. SWITCHED POWER = CONNECT TO CLEAN SWITCHED POWER SOURCE.
- 4. ** INDICATES HAGIE PART NUMBER
- 5. SYSTEM WILL SUPPORT UP TO 3 SIDEKICK PRO INJECTION PUMPS

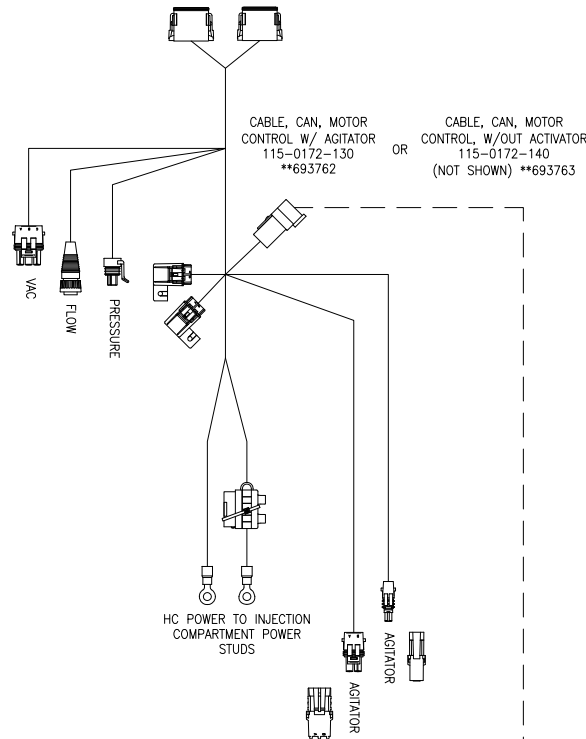
HAGIE MY2014 STS SYSTEM DRAWING – VIPER PRO OR EPRO XL



PUMP, SIDEKICK PRO, W/ CALIBRATOR 5-200 OZ/MIN 063-0173-589 **701459

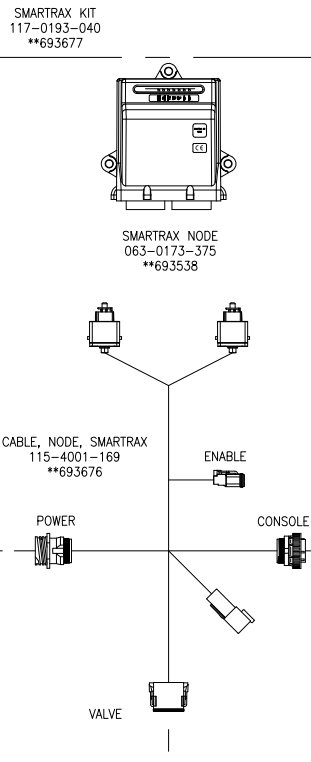
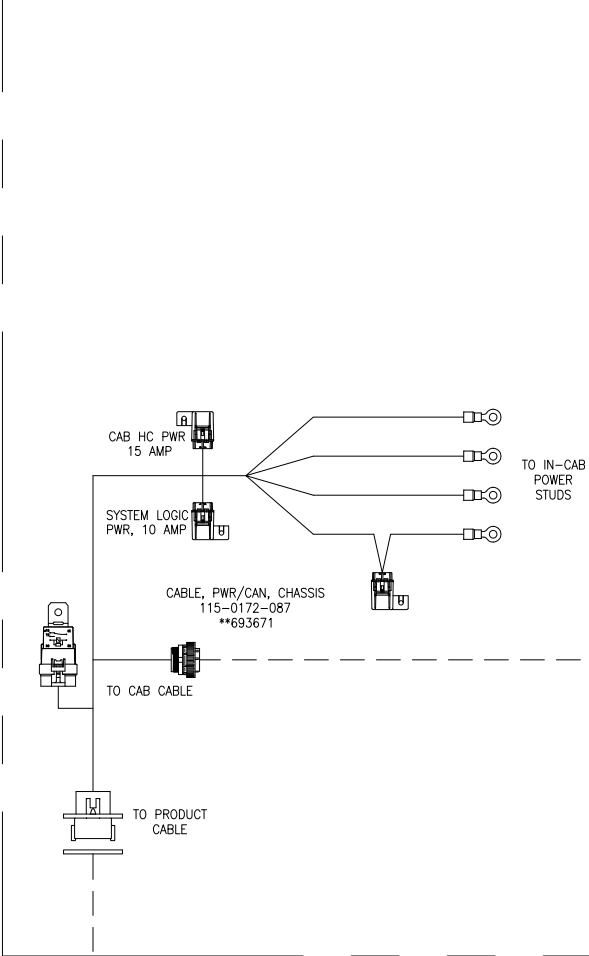
OR

PUMP, SIDEKICK PRO, W/ CALIBRATOR 1-40 OZ/MIN 063-0173-590 (NOT SHOWN)

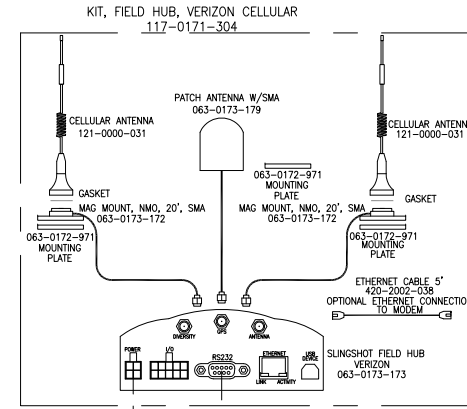
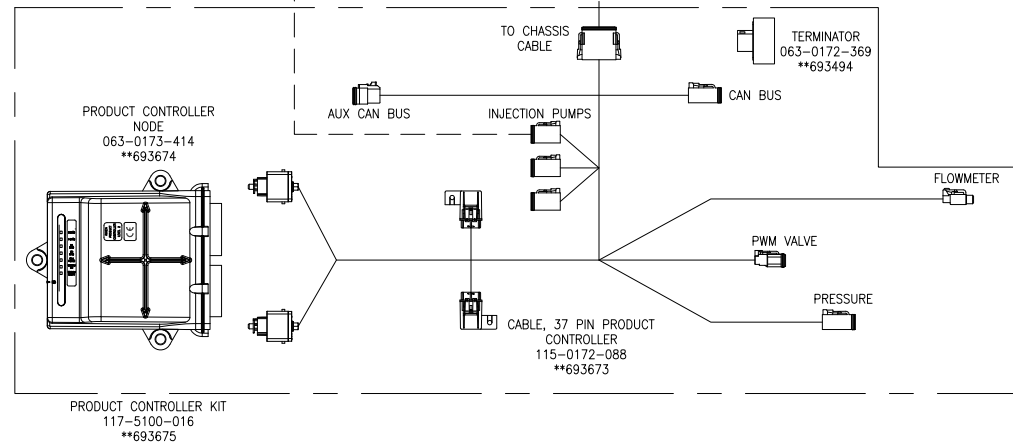


KIT, CAB CABLE, HAGIE STS 117-5100-016 **693672

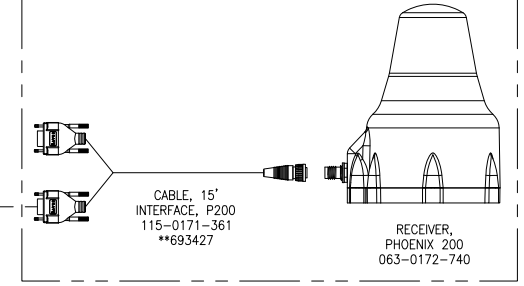
INSIDE CAB



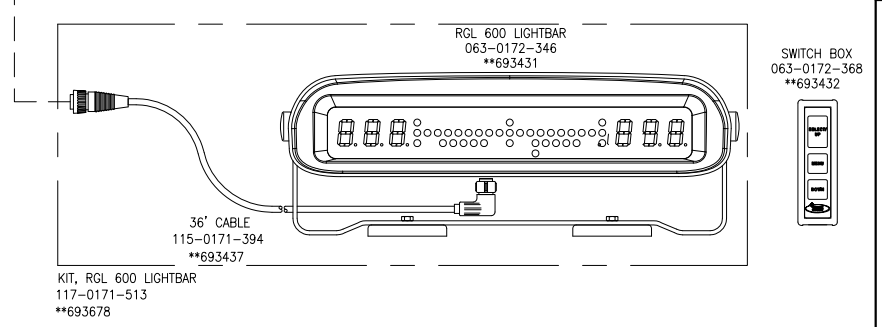
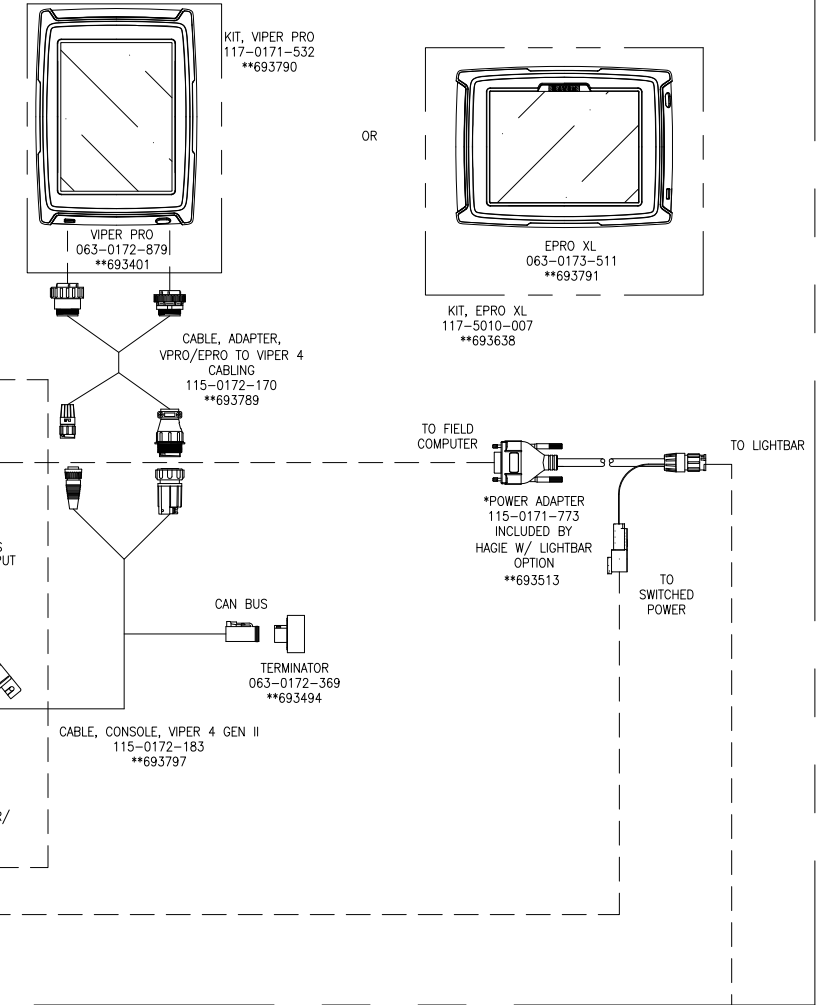
HAGIE VALVE



KIT, P200 117-0171-071 **693425



KIT, P300 117-0171-092 **693566



RELEASED DATE	ECO NO.	PROD. MGR.	SERV.	PROD. CHAMP.	ENG.	DRAFT.	REV.	DRAWING NO.
9/17/13	E20054	GLE	AT	N/A	TLB3	JJP	A	054-3002-015